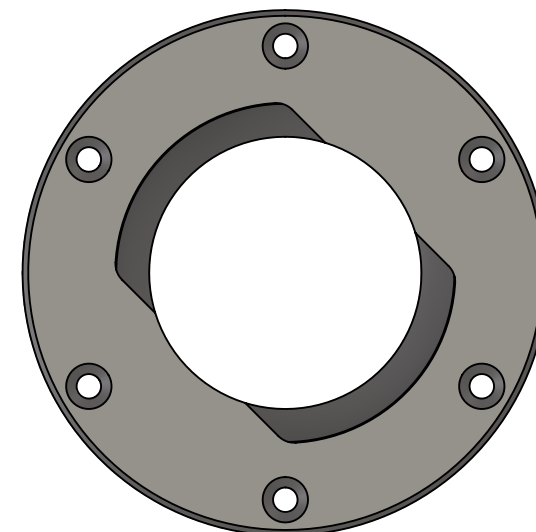
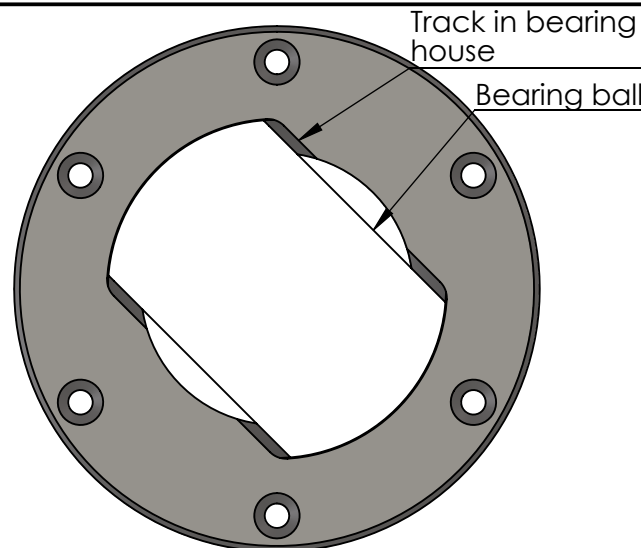
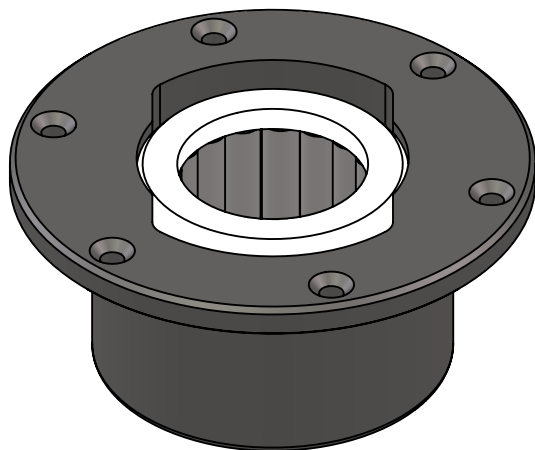


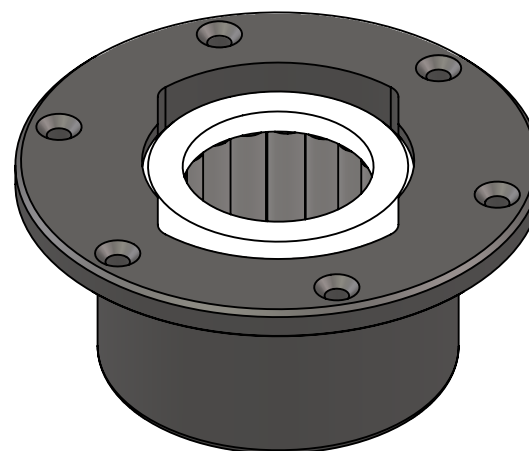
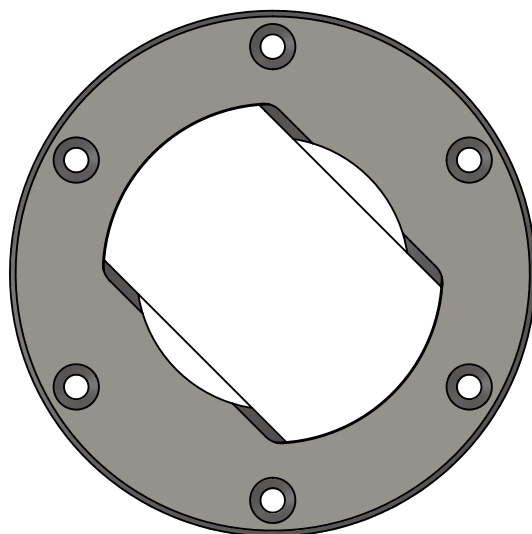
Manual for Jefa self-aligning roller bearing



1. Dismount and remove the rudderstock and any other unit to have a clear area to change the bearing ball in your roller bearing.

2. Twist the bearing ball 90° to have a clear passage through the tracks on the bearing house.

3. Pull the bearing ball straight out of the bearing house through the tracks, and clean the bearing house the bearing house.



Changing the bearing ball in your self-aligning bearing is now done, and you can mount the rudderstock and every other parts as needed.

4. Push the new bearing ball through the tracks of the bearing house.

5. Twist the new bearing ball back to its original position.

NB: the bearing ball is pre-greased and no extra grease is necessary.

Jefa Rudder
S Y S T E M S

Jefa Marine
Nimbusvej 2
2670 Greve
Denmark

Phone: +45 4515 5210
Fax: +45 4369 5208
Email: info@jefa.com

www.jefa.com