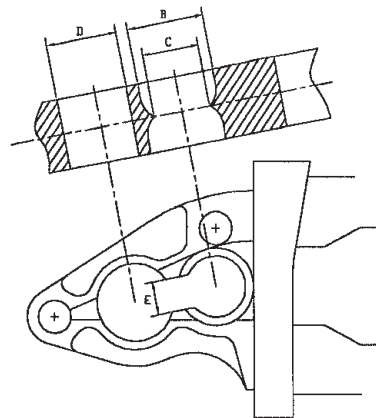
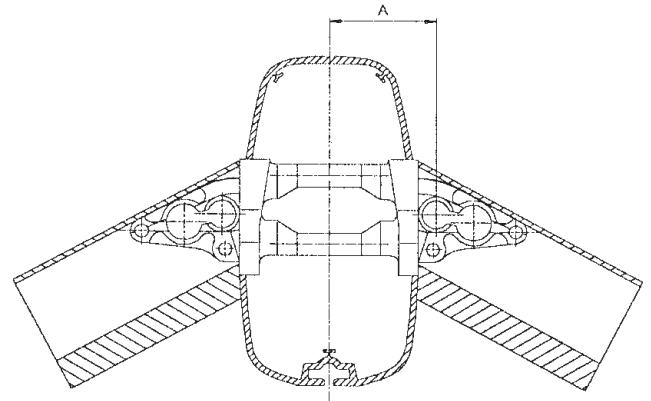
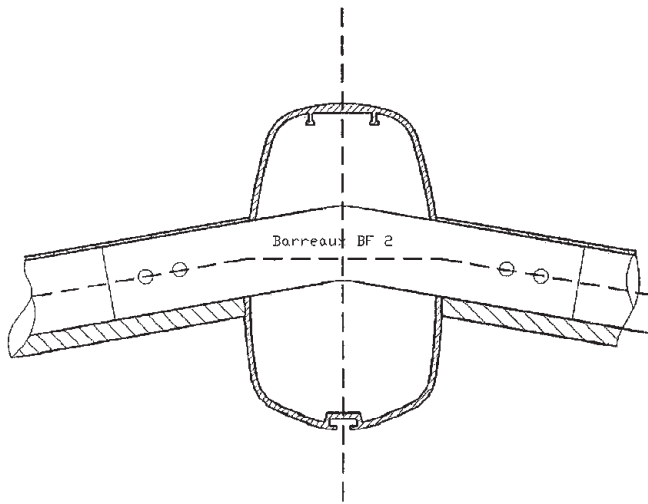


## ► BARREAUX DE BARRES DE FLÈCHE AVEC ANCRAGES / SPREADERS BARS WITH SHROUD SEATS

2004



DÉTAILS ANCRAGE DANS BARREAU INOX /  
S/S THRUBAR SHROUD SEAT DETAILS

	BF3	BF4	BF5
B	∅ 22	∅ 28	∅ 28
C	∅ 17,2	∅ 21	∅ 21
D	∅ 22	∅ 28,5	∅ 29
E	8	12	14,5

PROFILS PROFILES	BF2	BF3	A mm	BF4	A mm	BF5	A mm
<b>F78 / IMS80</b>	32109020002*						
<b>F78 / IMS80</b>	32109020502**						
<b>F135</b>		32151030001	56				
<b>F195</b>		32152030001	59				
<b>F305</b>		32153030001	62				
<b>F385</b>		32154030001	67	32154040001	67		
<b>F460</b>		32155030001	70	32155040001	72		
<b>F580</b>		32156030001	72	32156040001	72		
<b>F740</b>				32157040001	79	32157050003	79
<b>F1060</b>				32158040001	87	32158050003	87
<b>F1395</b>						32159050003	93

\* **32109020002** :barreau alu BF2, section 20x12 pour barre de flèche dans l'axe (pas d'ancrage intégré).  
Alu BF2 spreaders, bar 20x12 on line (without shroud attachment).

\*\* **32109020502** :barreau inox BF2, section 20x12 (pas d'ancrage intégré).  
S/s BF2 spreaders, bar 20x12 (without shroud attachment).

## ► BARREAUX DE BARRE DE FLÈCHES COMPLET (avec goupilles et axes) / COMPLETE SPREADERS BARS (with split pins and pins)

PROFILS PROFILES	BF2	BF3	A mm	BF4	A mm	BF5	A mm
<b>F78 / IMS80</b>	32109020005						
<b>F78 / IMS80</b>	32109020505						
<b>F135</b>		32151030005	56				
<b>F195</b>		32152030005	59				
<b>F305</b>		32153030005	62				
<b>F385</b>		32154030005	67	32154040005	67		
<b>F460</b>		32155030005	70	32155040005	72		
<b>F580</b>		32156030005	72	32156040005	72		
<b>F740</b>				32157040005	79	32157050005	79
<b>F1060</b>				32158040005	87	32158050005	87
<b>F1395</b>						32159050005	93

incluant / including :

SECTION SECTION	4 x AXES 4 x PINS	4 x GOUPILLES 4 x SPLIT PINS
<b>BF2</b>	40020208045	28803032200
<b>BF3</b>	40020208033	28803032200
<b>BF4</b>	40020212037	28803032200
<b>BF5</b>	40020212045	28803032200

## ► KIT SOUS-ENSEMBLE PROFILS + EMBOUTS / EXTRUSIONS + TIP SETS

BARRES DE FLECHE SPREADERS	REF. COMPLETE COMPLETE REF.	PROFIL PROFILE	EMBOUT CONTINU CONTINUOUS TIP	EMBOUT DISCONTINU DISCONTINUOUS TIP
<b>BF2</b> Axe / Pin ø 8	<b>33002011100</b>	32921000923	32602030055	
	<b>33002012100</b>	32921000923		32602010085
<b>BF3</b> Axe / Pin ø 10	<b>33003021100</b>	32931000923	32603030085	
	<b>33003022100</b>	32931000923		32603010105
<b>BF4</b> Axe / Pin ø 14	<b>33004021100</b>	32941300923	32604030105	
	<b>33004022100</b>	32941300923		32604010145
<b>BF5</b> Axe / Pin ø 16 Axe / Pin ø 18 Axe / Pin ø 20 Axe / Pin ø 22	<b>33005021100</b>	32951300923	32605030145	
	<b>33005022100</b>	32951300923		32605010165
	<b>33005022101</b>	32951300923		32605010185
	<b>33005022102</b>	32951300923		32605010205
	<b>33005022103</b>	32951300923		32605010225