

HEADSAIL FURLING & REEFING SYSTEMS



>> Your furling system for your navigation program

Facnor team is very much involved in innovation and customer needs. This, as well as the expertise of the most competent skippers, has led to the adaption and improvement of the Facnor headsail reefing system range. For each range, specific features has been developed. Each sailor will be able to find the Facnor furling gear suitable for his navigation : classic drum (LS/LX/RX), webbing drum (FD), continuous line drum (RC) or electrical motorised drum (RMEJ).

GENOA & STAYSAIL

FOUR RANGES OF JIB FURLERS

LS/LX/RX CLASSIC DRUM FURLING
& REEFING SYSTEMS P12

RC CONTINUOUS LINE FURLING
& REEFING SYSTEMS P18

FD WEBBING FURLING & REEFING
SYSTEMS P20 & 21

ELECTRIC MOTORIZED FURLING &
REEFING SYSTEMS RMEJ P24 & 25



NEW!



Photo : © Marc Ducrey / Chamade

HEADSAIL FURLING & REEFING SYSTEMS



The RC furling range is fitted with a low profile drum giving a maximum luff length. The continuous line wheel generates a constant torque and prevents line from overlapping. These specific performances and safety features combined with sturdiness, have lead to a wide reputation specially for single-handed sailing. The RC low drum design meets the satisfaction of the most requiring sailors who like discreet and neat products.

EFFICIENT & AESTHETIC

Our experience in designing continuous line furlers

In the past the continuous line furling systems used to be fitted on Gennaker furlers or Headsail structural furlers. However, they are now available on the RC headsail reefing systems. Compared to a conventional drum, the advantages of a continuous line system are numerous: a bigger luff available, greater furling power due to a larger diameter drum, no risk of overriding. A technology directly developed from racing Gennaker furlers or "structural systems" (structural furler, see page 10) fitted on Open 60's. Furthermore, this model can be fitted on existing Facnor reefing system (R range).

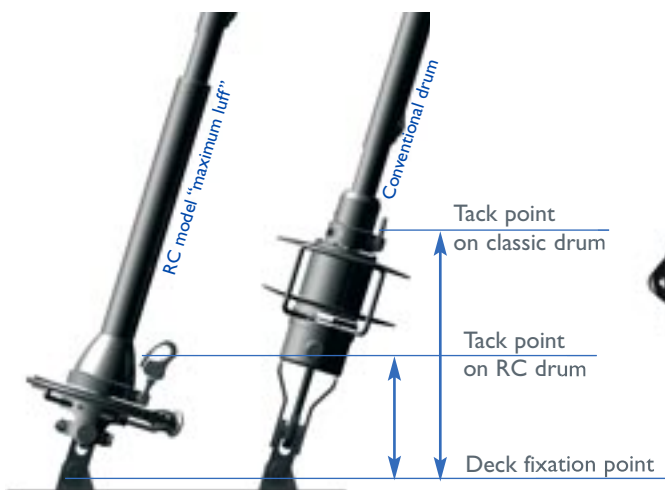
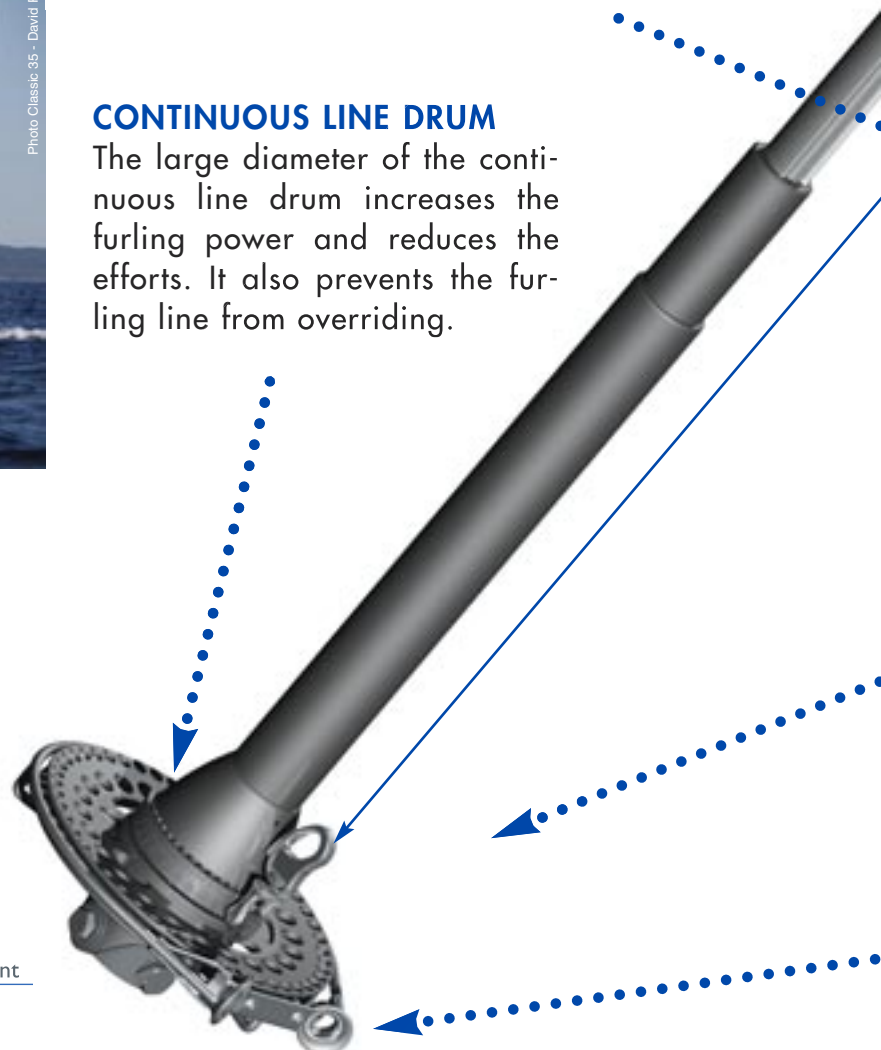
MAXIMUM LUFF



MAXIMUM LUFF

CONTINUOUS LINE DRUM

The large diameter of the continuous line drum increases the furling power and reduces the efforts. It also prevents the furling line from overriding.



BEARING BOX

Components: stainless steel thrust bearing and two fibered polymer bearing (LS/LX/RX models)



Photo : Loftboats

HEAD FOIL : RACING ELLIPTICAL SECTIONS



This range of aerodynamic sections offers a good penetration in the air and the double-groove allows changing the sail easily. The "R" section improves the performance of the RC continuous line system.



SIMPLE FITTING & EASY ACCESS TO THE TURNBUCKLE

Easy access to the turnbuckle. This fitting system of the drum allows to quickly check the forestay bottom parts.

FURLING LINE EXIT

Allows guiding the furling line around the clam cleat without any risk of wearing



Photo Credit : © Ed Teatzik / Southern Cross Spars


FACNOR ADVANTAGES

- Maximised luff thanks to low profile drum : the Genoa outhaul follows the deck
- Furling power increased
- A constant pull supplied by the furling line
- Easy handling
- Low profile design
- Internal housing for turnbuckle
- Waterproof bearings
- Simple installation as a classic Facnor furling system
- Eliminates risk of furling line overriding
- Possible adaptation on former "S" or "R" sections
- Rotating tack fitting with torlon® ball bearings to take up sail fullness
- Large range : RC100, RC180, RC220, RC300



Photo : A 35 - Ettore Yachting

RC FURLING SYSTEM FITTING TO YOUR BOAT

MODEL	RC 100	RC 180	RC 220	RC 300
Boat Length <small>m</small> <small>feet</small>	8 to 9 m 26' to 30'	9 to 12 m 30' to 40'	11 to 13 m 38' to 43'	12,5 to 18 m + 43'
Max. Forestay \varnothing	7* 9/32"*	8* 5/16"*	10* 3/8"*	12,7* 1/2"*
SECTION : Weight per meter	R 14 451 g	R 24 555 g	R26 641 g	R 34 991 g
Standard length section	2 M 6'8"	2 M 6'8"	2 M 6'8"	2 M 6'8"
Halyard swivel	CX 14	CX 24	CX 26	CX 34
 OPTION spliced furling line	■	■	■	■



RC 220

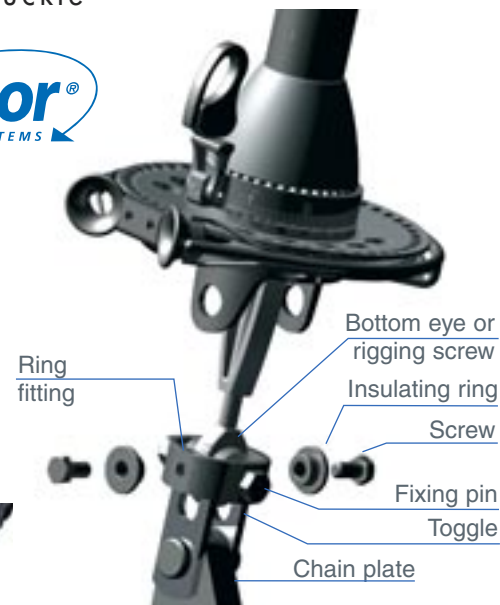
* removable eye or turnbuckle

A SIMPLE INSTALLATION



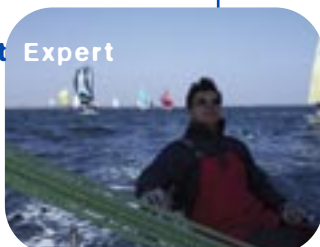
Easy access to the turnbuckle :

The new RC continuous line furling and reefing system can be fitted either on a rigging screw or an eye/link plate terminal. The **ring fitting** at the bottom of the drum allows an easy and quick access to the forestay terminal for a simple check or a slight adjustment. This ring fitting sets separately the forestay from the drum. By removing a few screws, the drum can be lifted up. Moreover, this fitting contributes to an additional articulation of the furling system that eases the drum bearings.

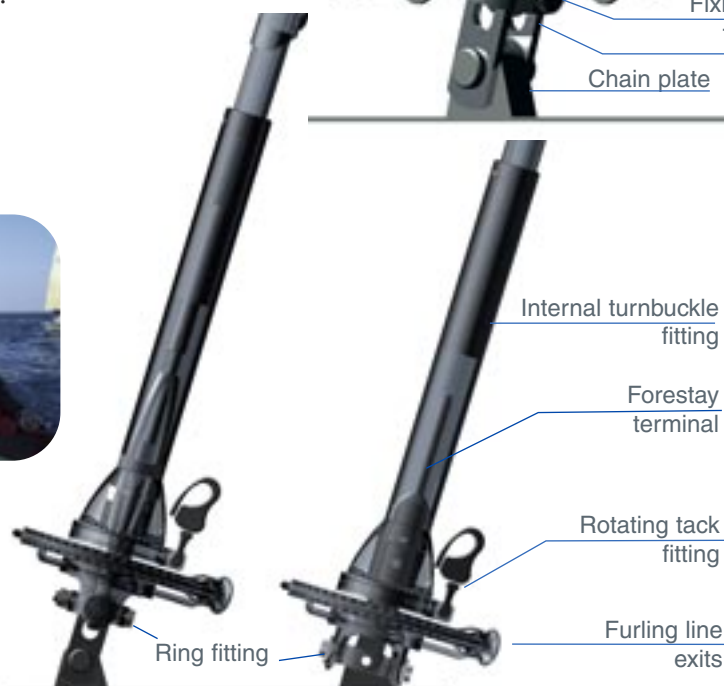


SAILOR TIP

"Halyard slack..."
Pierre Legoff, Sparcraft
Technical and Product Expert



It is not because the Genoa is fitted with a furling system that the halyard cannot be slack when sailing downwind or by light wind (and inversely), in order to improve boat performance. Also, after cruising or racing, one should not forget to slacken the halyard when back at berth, this will usefully release tension in the sail, sheaves and above all the swivel."



Installation with turnbuckle

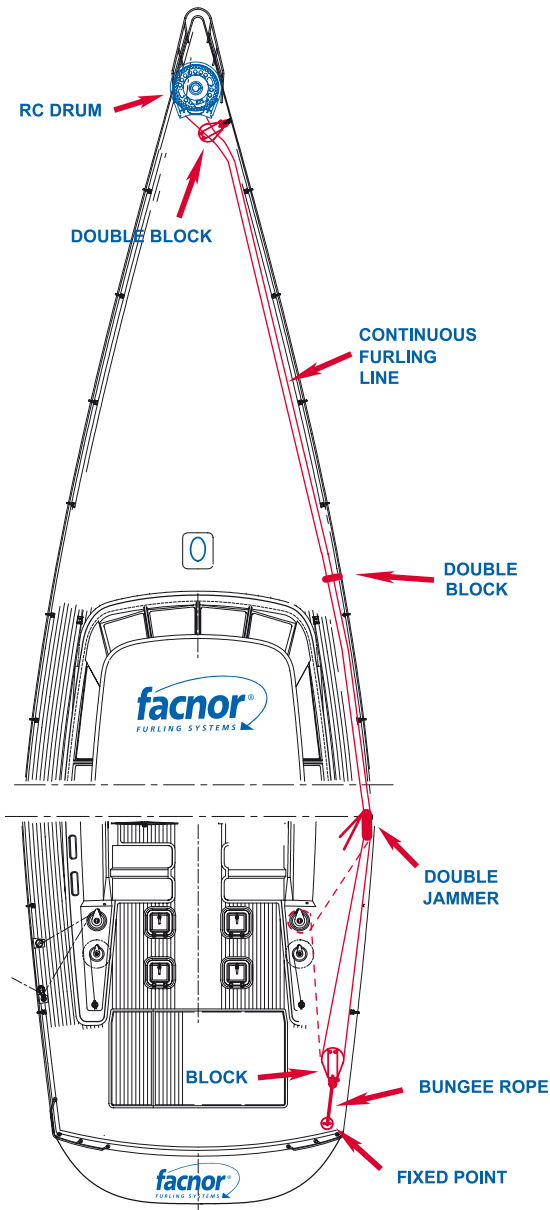
Installation with Eye terminal



EXAMPLE FOR INSTALLATION



See the example of how the continuous furling line can run on the deck (to be adjusted according to the boat deck plan). In this case, you can put a slight tension into the furling line and use the winch.



secure the bungee rope with a safety rope

"RC" drum dimensions

MODEL	ø mechanism	A	D*	ø Furling line
RC 100	ø 165	56	33	ø 8
RC 180	ø 220	72	38	ø 8
RC 220	ø 220	72	38	ø 8
RC 300	ø 271	85	40	ø 10

*D = inner diameter

MINIMUM DIMENSIONS

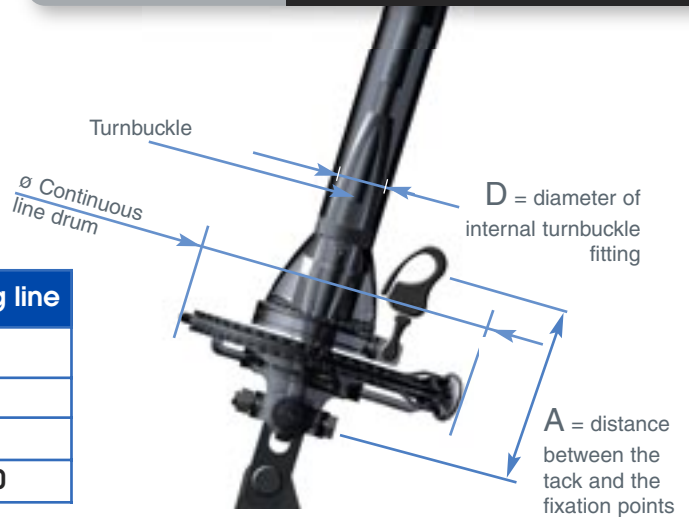


photo credit : Mathéophoto - Pogo 10.50 / Structures



SAILOR TIP

Charly Fernbach
Chantier Structure Salesman



“Like others, I will recommend to secure the reefing line with a stopper and to keep the line under tension. Specially by strong wind, furling in the sail tight and then keep the sheets tightened downwards.”.