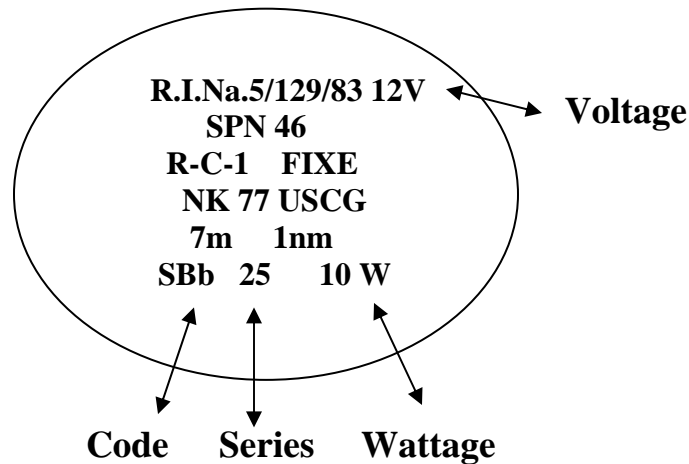


**How do I know which Aqua Signal Light I have so I can purchase a replacement light, replacement bulb, or parts?**

### **Navigation Light Identification Guide**

**In order to assist in helping you identify replacement navigation lights, parts and replacement bulbs, it is necessary to know what light fixture you currently have. Most Aqua Signal navigation lights can be identified by looking at the top of the light fixture. Below is an example of what you will see on the top of a typical Aqua Signal light fixture.**



<b>Code</b>	<b>Series</b>	<b>Light Type</b>	<b>Degree of Light</b>
T	25,32,40,41,43,50	Masthead	225
H	25,32,40,41,42,43,50	Stern	135
SBb	25,31,32,40,41,42,43,50	Port	112.5
SSb	25,31,32,40,41,42,43,50	Starboard	112.5
He	40,41,50	Stern Yellow	135
TD	25,31,32,40,41,43,50	Bi-Color	225
SR	25,32,40,50	A/R Red	360
SW	25,32,40,50	A/R White (Anchor)	360
SG	25,32,40,50	A/R Green	360
TDH	32,40	TriColor	360
TW	50	Masthead Strong	225

**In this particular case, the light is identified as a 12 volt, Port, Series 25, 10 watt. Now, you can use this information to order and purchase replacement lights and identify correct replacement bulbs and parts. Refer to the appropriate series in the Aqua Signal catalog for part numbers.**

**Note: Series 20 navigation lights are identified as such on the top of the navigation lights**