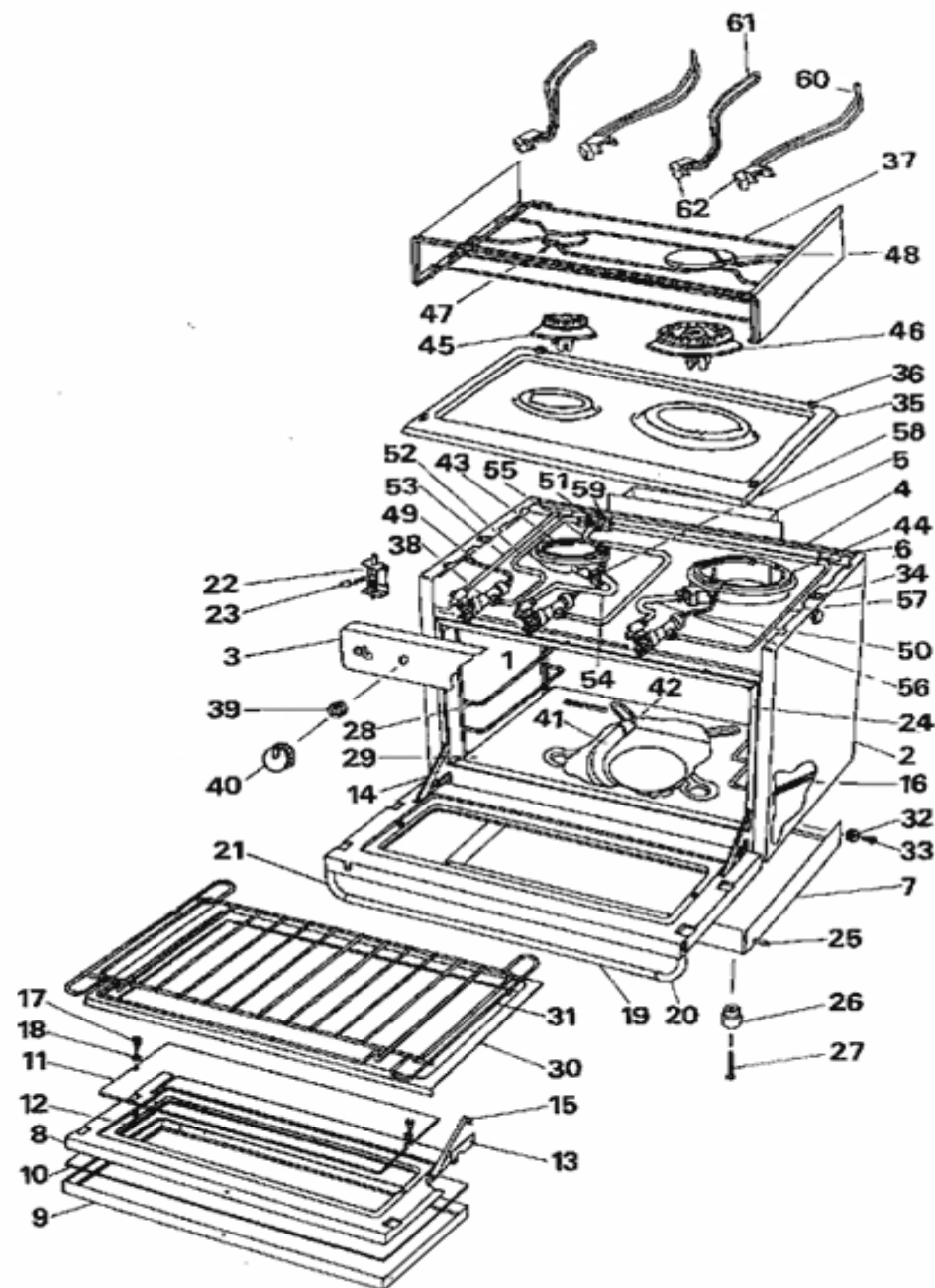


COOKER OPEN SEA since 06/1998

Reference	Designation	
1	04200030	Stainless steel inner oven
2	04200022	Side plate
3	04408037	Stainless steel fascia panel
4	04200024	Stainless steel oven back plate
5	04200025	Stainless steel exhaust chimney
6	04200027	Glasswool masking part
7	04407039	Oven bottom protection
8	04200023	Oven door stainless steel
9	61050	Door frame
10	55910	Oven door glass (grey)
11	52419	Inner oven glass
12	70177	Silicone section
13	04200034	Stainless steel door hinge
14	04200033	Right/h door sector
15	04200035	Left/h door sector
16	51341	Door spring
17	58832	Brass screw M4
18	51520	Téflon seal for glass screws
19	58547	Door handle
20	59924	Left/h door handle bracket
21	59923	Right/h door handle bracket
22	04207136	Welded door locking device
23	71268	Protection cap for anti-rolling handle
24	71022	Oven door tightness seal
25	04207146	Anti-rolling handle
26	70110	Rubber foot
27	71265	Screw F Z, M6-35
28	04207142	Oven shelf stainless steel
29	04200029	Stainless steel oven bottom plate
30	0440602960	Enamelled oven bottom plate
31	04207143	Oven grid Stainless steel
32	57040	Brass wheel Ø 24 mm
33	51346	Tube
34	70150	Fast nut
35	04200028	Spillage tray
36	71571	Pan support fastening clamp
37	04208138	Pan support
38	72087	Safety valve + by-pass 0,42
39	57009	Valve protecting nut
40	55017	Black contro knob
41	04200053	Stainless steel oven burner



42	83203361	Stainless steel air ring
43	59985	Medium burner pot
44	59986	Large burner pot + injector (80)
45	59988	Medium burner cup
46	59989	Small burner cup
47	59992	Medium burner cap
48	59993	Large burner cap
49	70655	Thermocouple
50	71415	Thermocouple L 350 mm
51	59972	3-outlet connection
52	61196	Oven burner feeding pipe
53	04200062	Oven burner feeding pipe
54	04208155	Medium burner feeding pipe
55	04200057	Medium burner valve feeding pipe
56	04208156	Large burner feeding pipe
57	04200058	Large burner valve feeding pipe
58	57020	Male ferule nut Ø 8
59	57021	Female ferule nut Ø 8
60	SC08200060	Right/h pan holder
61	SC08200061	Left/h pan holder
62	55018	Pan holder button