



20-292-01

- Locking Nut and Ring for the DSM30/300 plug

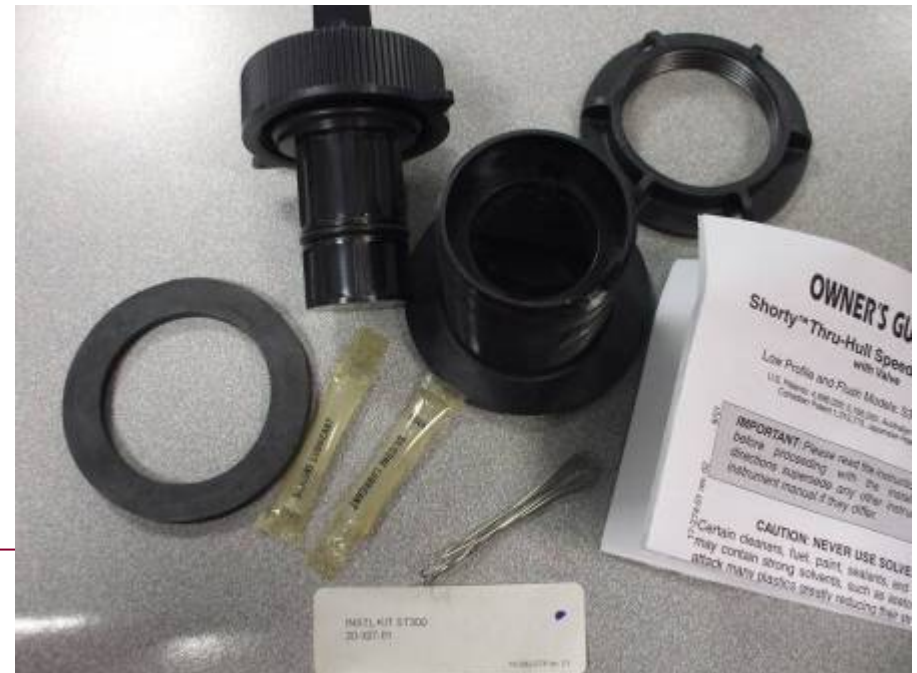


Raymarine®



20-327-01

- ST40 Bung and Housing for [E26008](#) Speed Txdr
- Should be available from Service UK.



aymarine®



33-562-01

- A-Series Txdr to DSM300 unit



ST30-Low Speed

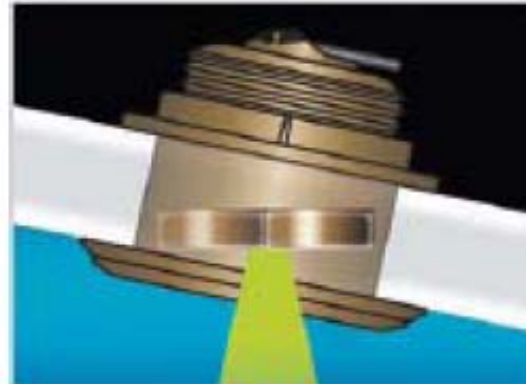
- Same Functionality as the [D233/D234](#) so Airmar Stopped producing it.
- Retired





A102112

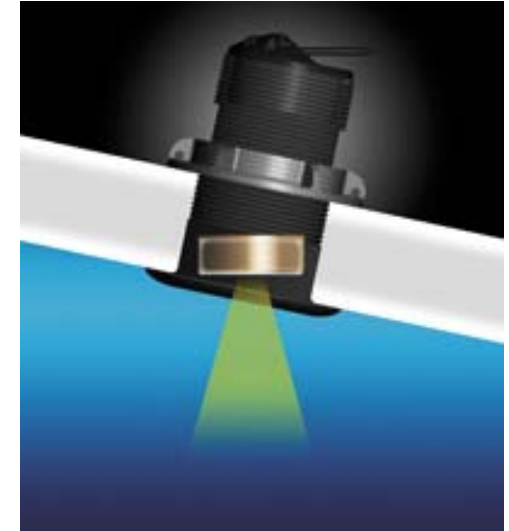
- B164 – 12 degree
- 50 / 200 kHz
- Depth / Temp
- 1kW
- DSM300 Plug on Cable
- Bronze
- 12 Degree element tilt
- Hull deadrise angles 8-15 degree





A102113

- B164 – 20 degree
- 50 / 200 kHz
- Depth / Temp
- 1kW
- DSM300 Plug on Cable
- Bronze
- 20 Degree element tilt
- Hull deadrise angles 16-24 degree





A102114

- R209 TH Txdr
- 38/50/200 kHz
- 3kW Max (2kW Max on 200kHz)
- DSM400 only
- Bare Ends for DSM400 connection
- Urethane





A102115

- R299 In-Hull
- 38/50/200 kHz
- 3kW Max (2kW max in 200kHz)
- DSM400 only
- Bare Ends for DSM400 connection
- Urethane



R299 / R399





A102116

- R309 TH Txdr
- Depth/Temp
- 28/38/200 kHz
- 3kW max (2kW on 200kHz)
- DSM400 only
- Bare Ends for DSM400 connection
- Urethane





A102117

- R399 In-Hull Txdr
- Depth only
- 28/38/200 kHz
- 3kW max (2kW max on 200kHz)
- Bare Ends for DSM400 connection
- DSM400 only
- Urethane



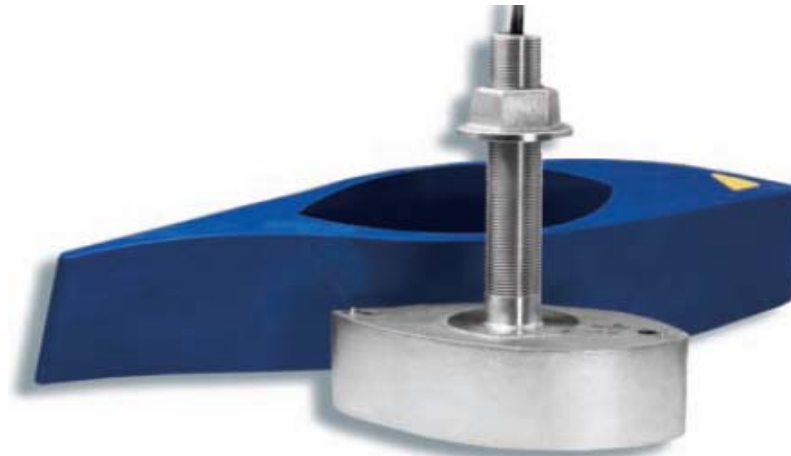
R299 / R399





A102118

- SS270 Wide Beam TH
- Depth / Temp
- Not diplexed internally
- 50/200kHz
- 1kW
- Stainless Steel
- DSM400 only
- Bare Ends for DSM400 connection

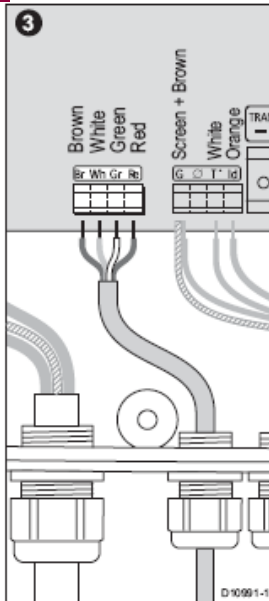


Raymarine



A102119

- CS4500 Ultrasonic Speed Sensor
- DSM400 only
- Bare Ends for DSM400
- PLASTIC HOUSING



Red	Positive
Green	Speed signal
White	Temperature
Screen and brown	Negative

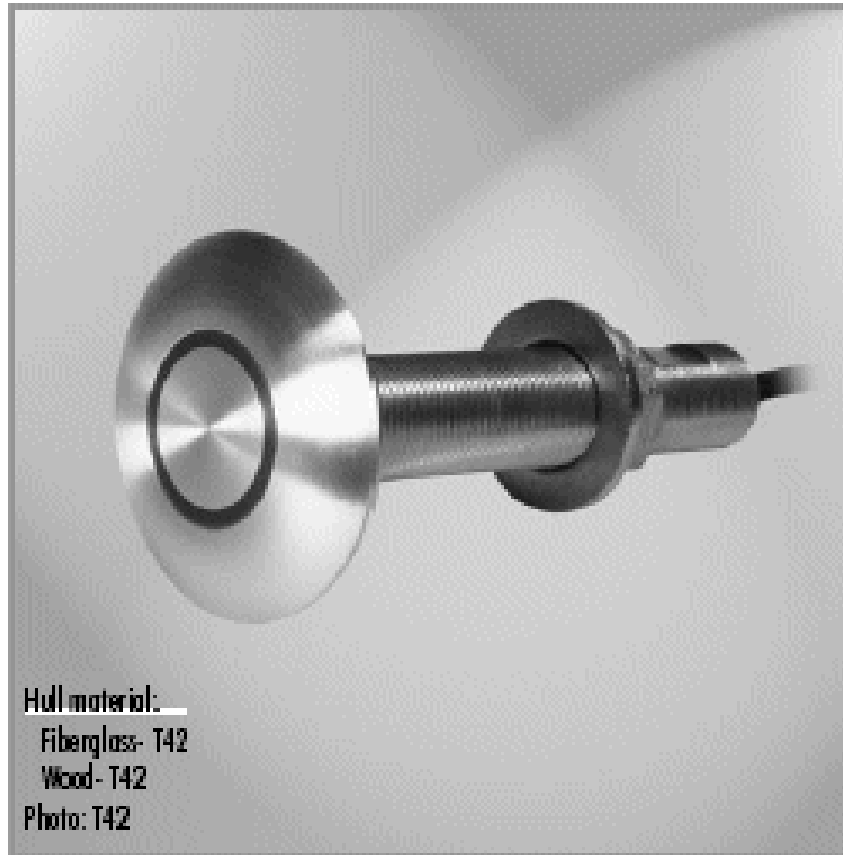


Transducers



A102120

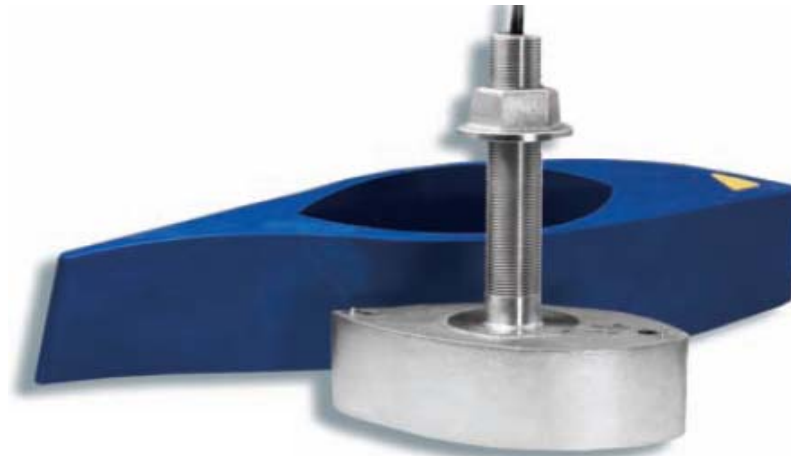
- T42 High Precision Temperature Sensor
- DSM400 only
- Bare Ends for DSM400 connections





A102121

- SS270 Wide Beam TH
- Depth / Temp
- Diplexed internally
- 50/200kHz
- 1kW
- Stainless Steel
- DSM300 plug on Cable





A102122

- SS260
- 50/200 kHz
- 1kW
- Depth / Temp
- DSM300 Plug on Cable
- Stainless Steel

Raymarine®

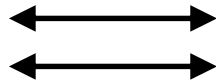


A102124

- External Diplexer for connecting DSM400 Txdrs to a DSM300 unit



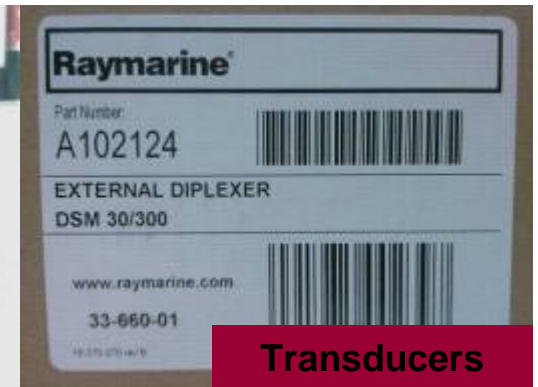
R209



A102124



DSM30/300



Transducers

Raymarine



A22111

- DST800 Smart Txdr
- Depth/ Speed/ Temp
- SeaTalk NG direct connection
- ST70
- Paddle Wheel Kit = [D234](#)
- 9.5' STNG spur length



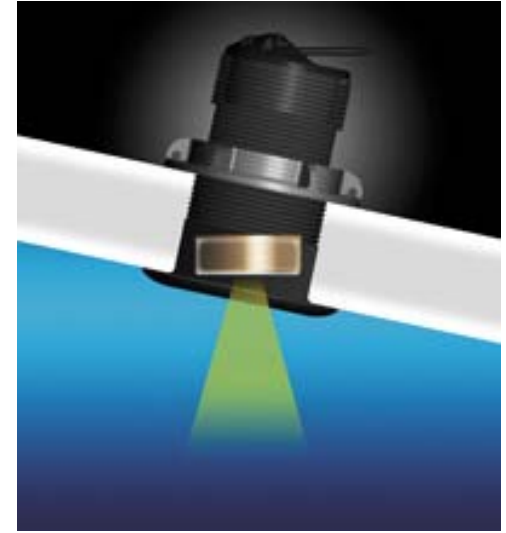
RAYMARINE

Transducers



A22112

- DT800 Smart Txdr
- Depth/ Temp
- SeaTalk NG direct connection
- ST70
- Tilted Element 12 degrees
- 9.5' STNG Spur length



Raymarine®

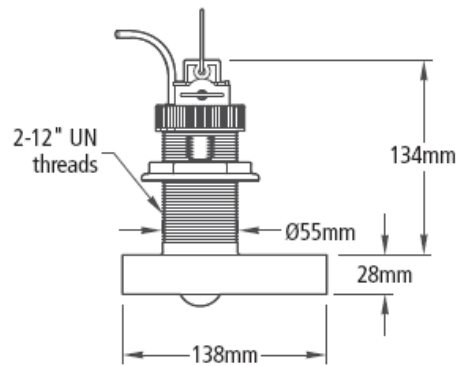
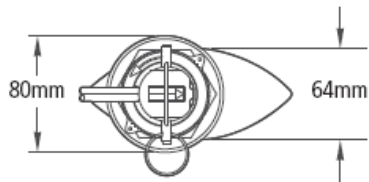


A26043

- Replaced [E26011-PZ](#)
- Reference [TU291](#)
- New Style B744V
- Instrument bear ends on cable
- (Fairing Block not included-[E66023](#))



New B744V



B744V

RAYMARINE

A26044

- B744VL Triducer TH
- Long Stem
- Replaced [E26020-PZ](#)
- **New Style** Reference [TU291](#)
- Instrument bear ends on cable + Crimps
- (Fairing Block not included-[E66023](#))
- Paddle Wheel Kit = R69015

(B744VL) Bronze Long Stem Thru-Hull Triducer with depth, speed and temperature. 200Khz w/45' Cable



A28095

- P66 TM Txdr Bracket
- Used on the P66 = [E26027-PZ](#), [E26028-PZ](#), [E66054](#), [E66055](#).



A28103

- ST40 Speed Txdr Bung
- Used on [E26008](#)

A28106

- Very Similar to the M99001-11 except it has slots in the side. O-rings and pin appear the same.
- Six Paddles – Flat
- Replaced the [D138](#)





A28161

- ST60+ Wind Base only (You can disconnect the cable from the base)



A28162

- ST60+ Masthead Cable and Base only
- 30 meters (98 foot) cable



A28163

- ST60+ Masthead Cable and Base only
- 50 Meter (164 foot) Cable



A28167

- ST60+ Wind Vane C/Balance weight and Cups



A46054

- 5m (16.25') Mic Relocation Kit
- For use on the R218 VHF only





A46055

- 5 m RayMic Extension Cable
- Connects directly to the Rear of the VHF
- For use on the R55 and R218 VHF





A46056

- 10 m RayMic Extension Cable
- Connects directly to the Rear of the VHF
- For use on the R55 and R218 VHF





A66089

- M260 Broadband (Includes In Hull Mounting Kit)
- DSM Plug on Cable
- Depth Only

M260



In-hull

- Depth
- 50/200 kHz
- 1 kW RMS
- High-performance
- Urethane

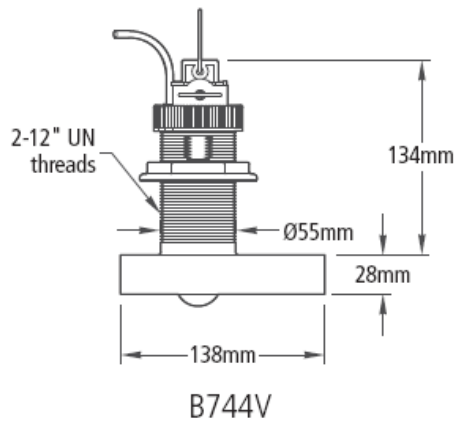
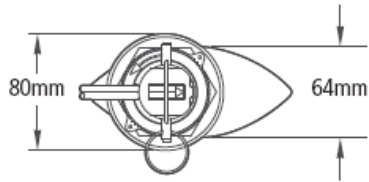
[More...](#)

Raymarine®



A66090

- B744V
- A-Series Plug on Cable
- Comes with Fairing
- Paddle Wheel Kit = [R69015](#)
- New Style – reference [TU291](#)



<p>B744V</p> 	<p>Long Stem Thru-hull</p> <ul style="list-style-type: none">• Depth/Speed/Temp• 50/200 kHz• 600 W RMS• Mid-performance• Bronze <p>More...</p>
---	---



New B744V



RAYMARINE

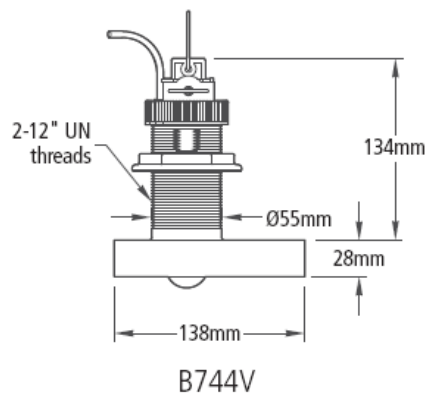
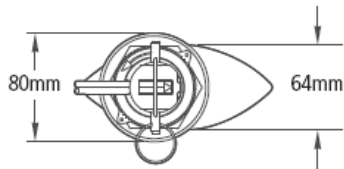
Transducers

Raymarine®



A66091

- B744V TH Retractable (Includes E66023 fairing block)
- DSM Plug on Cable
- Bronze
- Depth / Speed / Temp
- 30 foot cable
- Paddle Wheel Kit = [R69015](#)
- Reference [TU291](#) for spares – new style



B744V



Long Stem Thru-hull

- Depth/Speed/Temp
- 50/200 kHz
- 600 W RMS
- Mid-performance
- Bronze

[More...](#)



New B744V



RAYMARINE

Transducers

A66092

- B744VL TH Retractable (Includes [E66023](#) Fairing Block)
- DSM Plug on Cable
- Bronze
- Depth / Speed / Temp
- 30 foot cable
- Reference [TU291](#) for spares – new style
- Fairing Block = [E66023](#)
- Paddle Wheel Kit = [R69015](#)
- Paddle Wheel and Valve Kit = ?
- Blanking Plug = ?



Long Stem Thru-hull

- **Depth/Speed/Temp**
- **50/200 kHz**
- **600 W RMS**
- **Mid-performance**
- **Bronze**

[More...](#)

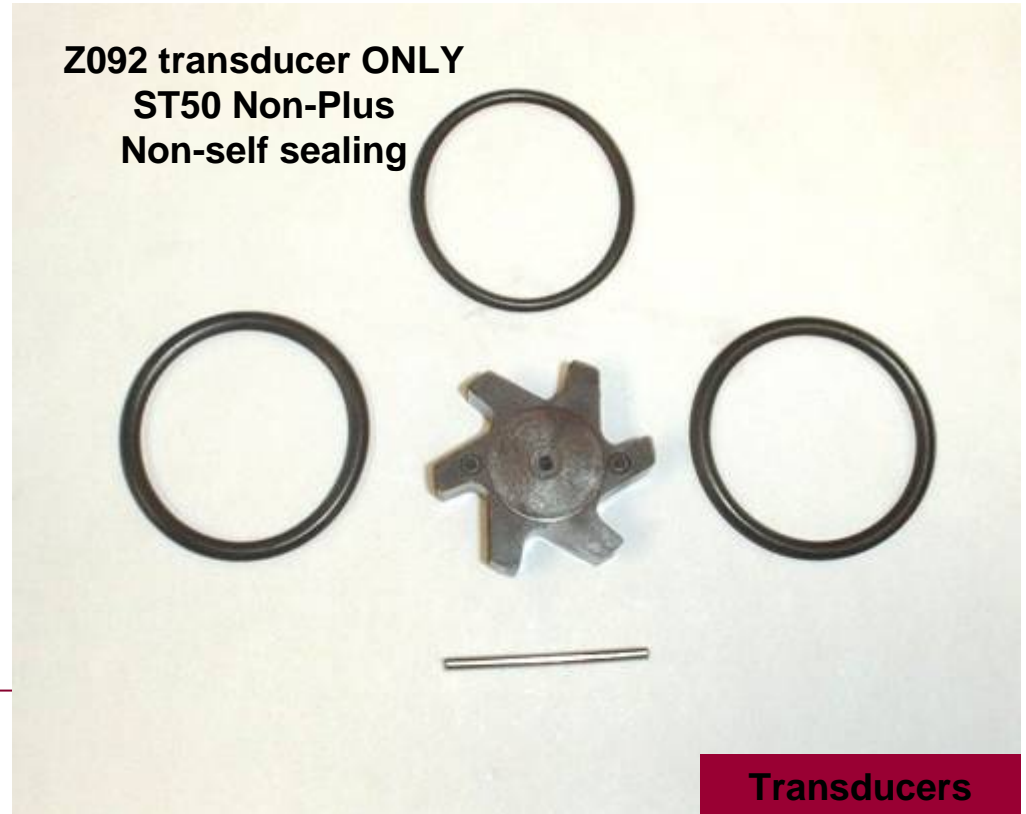


D138

- Transducer Service Kit
- Used on Z092 only
- ST50 non-plus, non self sealing
- Retired – Now [A28106](#)

Used with:

Z092 transducer ONLY
ST50 Non-Plus
Non-self sealing





D139

- Mast Head Service Kit (old)
- Used on the D168 and the D225



D144

- Used for the [M78923](#) Bronze TH Tri
- See [D223?](#) (Similar)



D145

- Tri-ducer Blanking Plug



D146

- For ST50+ TM Txdr
- Six Legs- Flat



D148

- Blanking Plug
- Retired
- 4cm diameter





D168

- ST50/ST60 “Old” Wind Txdr (short arm)
- Spare only – no Cable supplied
- Retired – replaced by R28170
- Service Kit = D139 (cups and vane)
- E25018 is Txdr with Cable
- Cable only (30M) A28082 - Spades on End for instrument
- Cable only (30M) Q024 – Plugged for ST50
- Cable only (50M) E28042 – Spades for instrument



D223

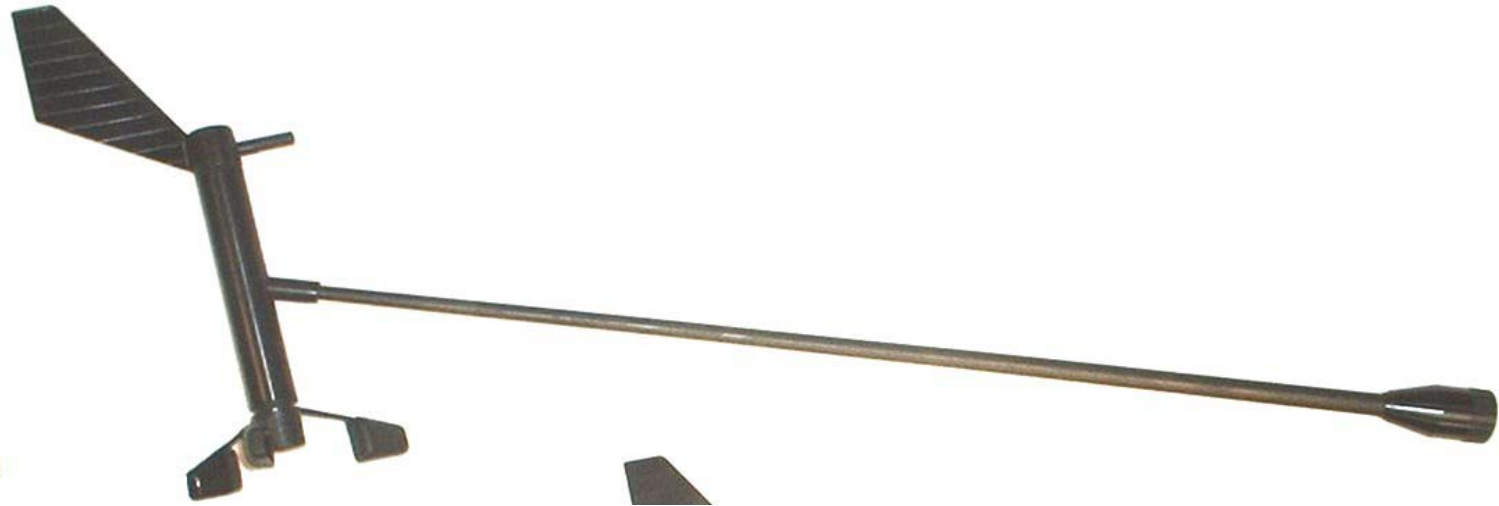
- ST30 Txdr Service Kit
- [D144](#) Triducer Paddle Wheel Kit
- 4 Paddles - Rounded not Flat
- Current
- Similar to the [D234](#) Paddle Wheel, just different o rings
- The Pin in this kit is too Long for the [E26006](#) Transom mount Txdr, so this kit is not FULLY compatible. Paddle Wheel itself appears the same however.





D225

- ST50/ST60 “old” Wind Txdr (Long Arm)
- Spare only – no cable supplied
- Retired
- Service Kit = D139 (cups and vane)
- E25019 is Txdr with 50M cable
- Cable only (50M) E28042 - Spades for Instrument
- Cable only (30M) A28082 - Spades on End for instrument
- Cable only (30M) Q024 – Plugged for ST50





D234

- Same Paddle as the [D223](#) and [D144](#)
- High Speed
- 4 Paddles – Rounded, not flat
- Current
- Flap Valve assy included
- Used on the P120 / B120 Txdrs
- Fits the Paddle Wheel Txdrs: – [E26008](#) and [A22111](#) and the [E26031](#)

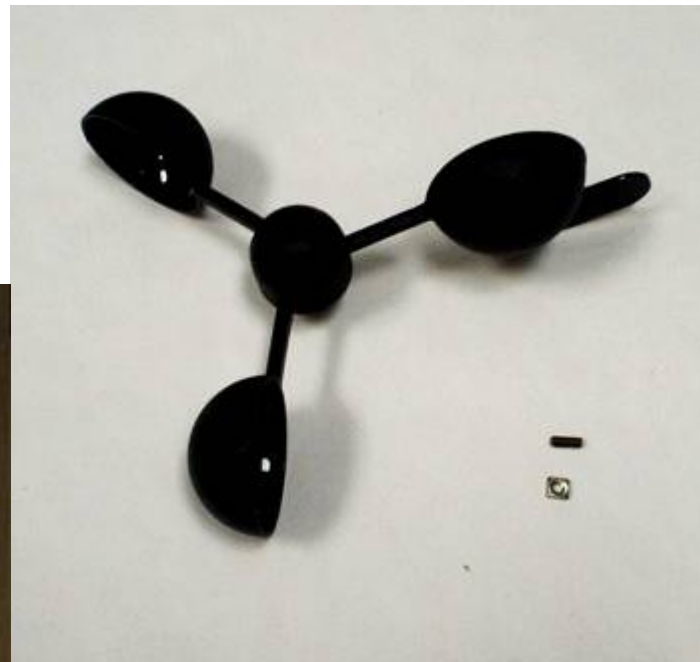


aymarine®



D240

- Rotavecta Transducer Service Kit
- For Transducer: [Z195](#)



D240

23/06/08



TRANS SERVICE KIT
ROTAVECTA



7 23193 10369 2

Made in Hungary

Transducers

D241

- Housing and Plug with valve
- Includes [D242](#) blanking plug
- 3cm diameter



Raymarine®

D242

- Blanking Plug
- 3cm diameter
- For ST60



Blanking Plugs



D243

- ST50 Speed Txdr (Plugged)
- You can cut off the plug and fit crimps for ST60



D306

- Six Paddles – Rounded, not Flat
- High Speed paddle wheel kit
- Retired



D328

- ST30 Speed Extension Cable



E22078

- Standard Forward Wind Txdr
- 14 ½ inch long
- 100 foot Cable
- Crimped Ends for Instrument Connection

Standard Forward Wind Transducer 14 ½" Long w/100' Cable





E22079

- Forward Long Arm Wind Txdr
- 26 inch long
- 100 foot cable





E25025

- P17 Low Profile TH Retractable
- 20m cable
- ST60/290
- Plastic
- Crimped ends for instrument connection
- Speed/ Temp

(ST800-P120) Lexan Retractable Thru-Hull speed and temperature transducer w/65' Cable





E25026-PZ

- P19 TH Depth
- 20m cable (65')
- ST60/70/290
- 375 W rms

(P19) Plastic Low Profile Thru-Hull Depth Transducer w/65'
Cable Depth Only 200Khz





E26001-PZ

- In Hull Plastic Depth
- ST40/60/70/290
- Crimped ends for Instrument connection
- 600 W rms

(P79) Plastic Adjustable In-Hull Depth Transducer Depth Only
200Khz w/47' Cable





E26005

- ST69 TM
- ST40/60/70/290
- Crimped Ends for instrument connection
- Plastic
- Speed/ Temp

ST69



Transom mount

- **Speed/Temp Only**
- **Plastic**

[More...](#)





E26006

- P65 Depth or Tri-Ducer if [M99-143](#) paddle wheel kit is added
- Crimped ends for instrument
- ST40
- Can use the Paddle Wheel from a [D223](#), however the pin is too long.! (have to keep the original pin)





E26007

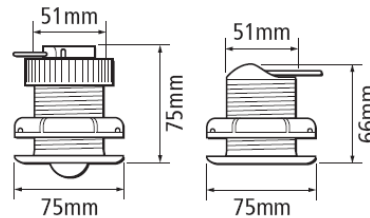
- P65 Transom Mount (TM) Depth Txdr 200kHz
- **Retired** approx 2002 – replaced by ([E26027-PZ](#) P66)
- Supplied with the ST40 Depth System TM
- You can add the [M99-143](#) paddle wheel kit to make it into Depth/Speed





E26008

- ST40 Speed Txdr
- ST300/ P371
- "Shorty"
- Plastic
- Crimped ends for instrument
- Speed/ Temp
- [D234](#) Paddle Wheel and Valve Kit
- Bung and Housing = [20-327-01](#) (can get from service)
- Bung = [A28103](#)



ST40 LOW PROFILE SPEED AND DEPTH TRANSDUCERS
(SUPPLIED WITH 9 METRE / 30' CABLE)

(ST300/P371) Plastic Low Profile Thru-Hull Speed Transducer Speed and Temp. Only 200Khz w/30' Cable

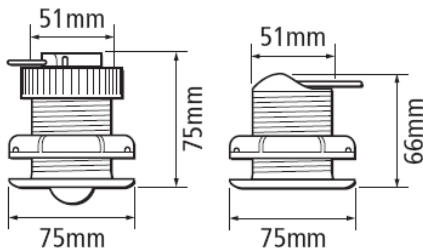




E26009

- P7 Shorty Low Profile TH
- ST40
- Plastic
- Crimped ends for instrument
- 250 W rms

(P7) Plastic Low Profile Thru-Hull Transducer Depth Only
200Khz w/30' Cable



ST40 LOW PROFILE SPEED AND DEPTH TRANSDUCERS
(SUPPLIED WITH 9 METRE / 30' CABLE)

Raymarine

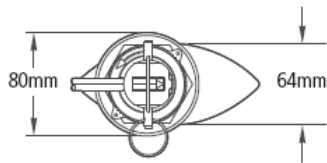


E26011-PZ

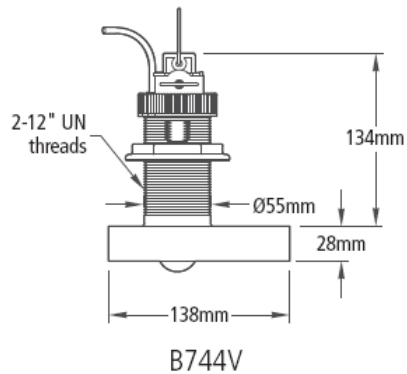
- B744V Triducer TH Retractable
- ST60/70/290
- Bronze
- Crimped ends for instrument
- Paddle Wheel Kit = [R69015](#)
- Replaced with [A26043](#) – reference [TU291](#)



Existing B744V



(B744V) Bronze Thru-Hull Triducer with depth, speed and temperature. 200Khz w/45' Cable



B744V



Clevis pin assembly

RAYMARINE

Transducers

E26017

- Fairing Block for B45 ([E66035](#))



E26019-PZ

- B45 TH
- ST40/60/70/290
- Bronze
- Crimped ends for instrument
- 600 W rms

(B45) Bronze Long Stem Depth Transducer w/Fairing Block Depth
Only 200Khz w/45' Cable





E26020-PZ

- B744VL Triducer TH
- Long Stem
- ST60/70/290
- Bronze
- Crimped ends for instrument
- Paddle Wheel Kit = [R69015](#)

(B744VL) Bronze Long Stem Thru-Hull Triducer with depth, speed and temperature. 200Khz w/45' Cable



E26021

- P7 Depth Txdr (ST30)
 - Superseded the [Z193](#)



E26024

- CS4500 Sonic Speed for ST60 (Not for DSM)
- PLASTIC HOUSING
- (Contains 5 wires, Green, white, Brown, Screen and Red)



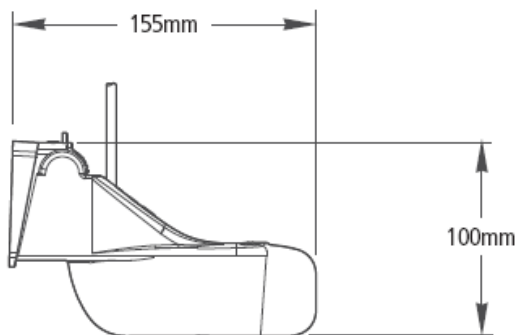
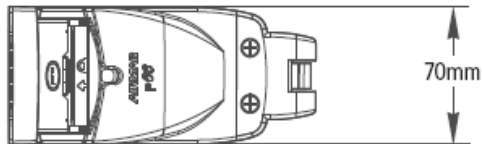
Raymarine®



E26027-PZ

- P66 TM
- **Depth only**
- Plastic
- Crimped ends for instrument
- 600W rms
- Replacement Bracket = [A28095](#)

(P66) Transom Mount Depth Transducer Depth Only 200Khz w/30' Cable



P66



No paddle wheel on this version. Depth only

Raymarine



E26028-PZ

- P66 TM Triducer
- ST60/70/290
- Depth/ Speed/ Temp
- Crimped ends for Instrument Connection
- Paddle Wheel Kit = [R69079](#)
- Replacement Bracket = [A28095](#)

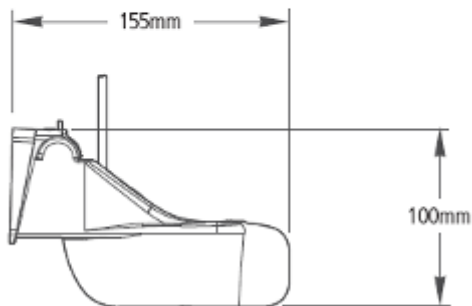
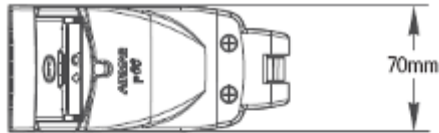
P66



Transom mount

- Depth/Speed/Temp
- 50/200 kHz
- 600 W RMS
- Mid-performance
- Plastic

[More...](#)



P66

(P66) Transom mount triducer with depth, speed and temperature.
200Khz w/45' Cable



RAYMARINE

Transducers



E26030

- D800 / P17 TH Retractable
- ST40/60/70/290
- Plastic
- Crimped ends for instrument
- 250W rms

(D800-P17) Plastic Retractable Thru-Hull Depth Transducer Depth
Only 200Khz w/45' Cable



Raymarine®



E26031

- ST800 / P120 TH Transducer
- Speed / Temp
- Crimped ends for Instrument
- Paddle Wheel Kit = [D234](#)
- ST60/70/290

(ST800/P120) standard plastic Low Profile Thru-Hull speed and temperature transducer with 45' Cable



Transducers



E66008

- P79 Adjustable In-Hull Txdr
- Depth Only
- DSM plug on Cable
- Plastic
- 30 foot cable

P79



In-hull

- **Depth**
- **50/200 kHz**
- **600 W RMS**
- **Mid-performance**
- **Plastic**

[More...](#)



E66009

- 3m (9.75') Txdr Extension Cable with Removable back shell
- For DSM Txdrs

3M Transducer Ext. Cable w/Removable Back Shell
(10 Ft)





E66010

- 5m (16.25') Txdr Extension Cable with Removable back shell
- For DSM Txdrs

5M Transducer Ext. Cable w/Removable Back Shell
(16 Ft)

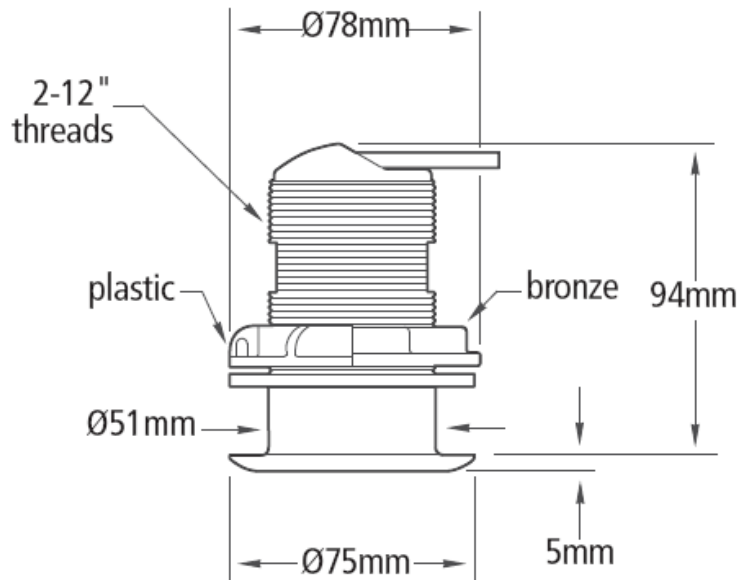


Raymarine



E66013

- P319 Low Profile TH
- Depth Only
- DSM Plug on Cable
- Plastic
- 30 foot Cable



P319

P319



Thru-hull

- Depth/Temp(opt)
- 50/200 kHz
- 600 W RMS
- Mid-performance
- Plastic

[More...](#)



E66014

- B117 Low Profile TH
- Depth only
- DSM Plug on Cable
- Bronze
- 30 foot cable

B117



Thru-hull

- Depth/Temp(opt)
- 50/200 kHz
- 600 W RMS
- Mid-performance
- Bronze

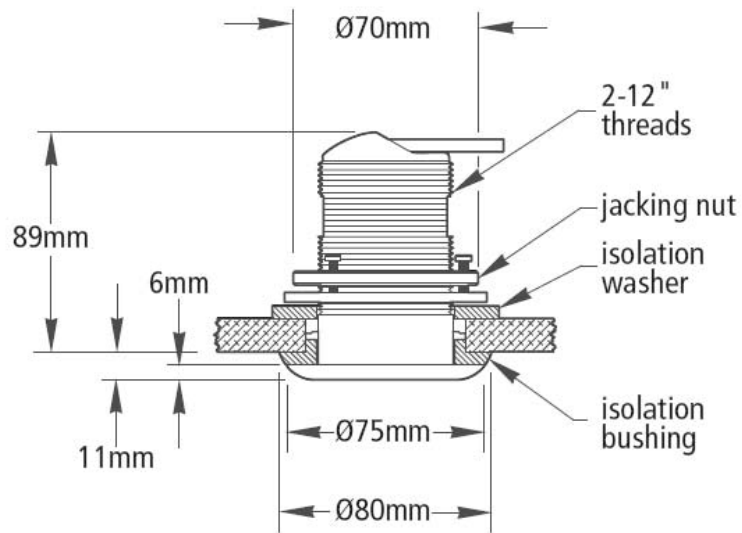
[More...](#)

Raymarine®



E66015

- SS555 Low Profile TH LP
- Depth Only
- DSM Plug on Cable
- Stainless Steel
- 30 foot cable



SS555

SS555



Thru-hull

- Depth/Temp(opt)
- 50/200 kHz
- 600 W RMS
- Mid-performance
- Stainless Steel

More...

E66018

- ST600/B120 TH LP Retractable
- Bronze
- Speed/Temp
- Paddle Wheel & Valve Kit = [D234](#)
- Includes Y-Cable = [E66022](#)



E66019

- ST69 TM
- Small 3 pin Plug on Cable for attaching to 'Y Splitter' cable (for DSM)
- Speed / Temperature
- Plastic
- Includes y-Cable = [E66022](#)

ST69



Transom mount

- Speed/Temp Only
- Plastic

[More...](#)



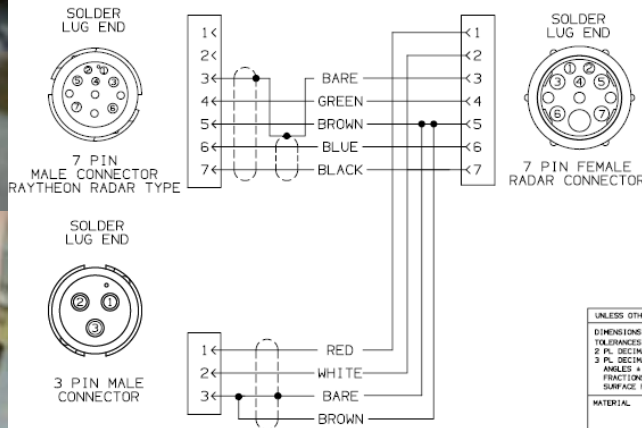
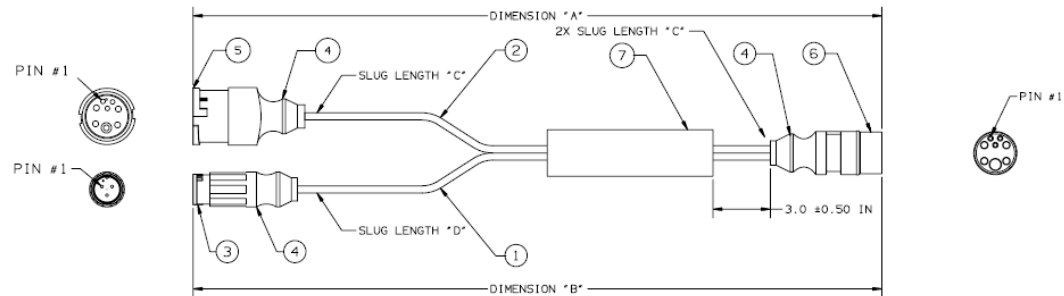
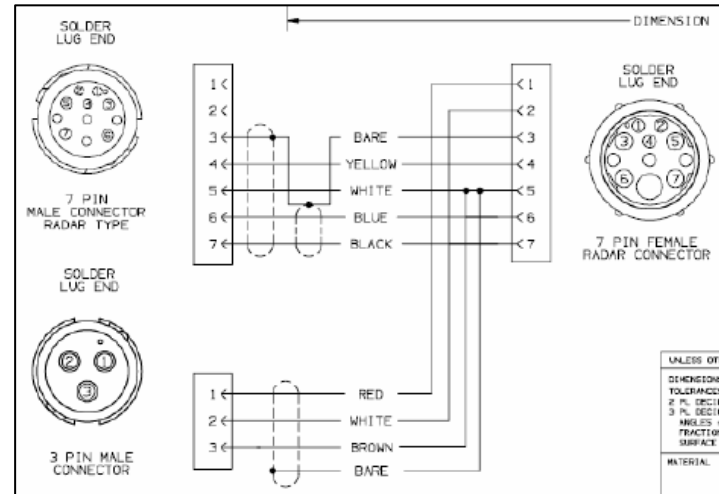
E66021

- P65
- TM
- DST
- Cable = 10m / 33ft
- L755/760

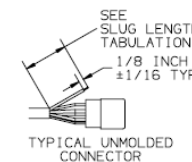


E66022

- Speed / Temperature Y-Splitter Cable
- Used on the [E66019](#) / [E66071](#) / [E66072](#)



NOTE:
SLEEVE OVER FERRITE BODY. SLIDE ONTO DUAL CABLE CONNECTOR END (APPROX 5") DO NOT SHRINK.



QTY	DESCRIPTION	ITEM NO
1	FERRITE / SLEEVE	7
1	CONNECTOR, 7 PIN, FEMALE	6
1	CONNECTOR, 7 PIN, MALE	5
3	BACKSHELL	4
1	CONNECTOR, 3 PIN, MALE	3
A/R	CABLE, C47	2
A/R	CABLE, C9	1

PARTS LIST	
SCALE: FULL	NUMBER 22-381-XX REV 05
SIZE: SHEET 1 OF 1	

UNLESS OTHERWISE SPECIFIED	SIGNATURE	DATE
DIMENSIONS ARE IN INCHES	DRAWN J. CHAMBERS	11/06/00
TOLERANCES ON	CHECKED F. BECKETER	11/22/00
2 PL. DECIMALS ±0.02	CHECKED J. JEFFERS	11/22/00
3 PL. DECIMALS ±0.005		
ANGLES ± 1/2°		
FRACTIONS ± 1/16		
SURFACE FINISH		

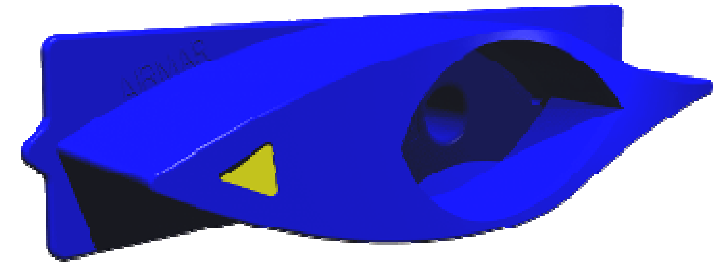
AIRMAR AIRMAR TECHNOLOGY CORPORATION
25 NEWBERRY DR. MILFORD NH 03055-4613 USA
TEL: 603-872-9510 FAX: 603-872-4624

TITLE
YCBL, 7M-RR, 7F-RR, 3M-A, C47, C9

C SCALE: FULL NUMBER 22-381-XX REV 05
SIZE: SHEET 1 OF 1

E66023

- B744V / B744VL Hi-Speed Fairing Block



(B744V) High speed fairing block for (B744V) and (B744VL)



Raymarine®



E66025

- B256 High Speed Fairing Kit

RAYMARINE



E66030

- ST600/P120 TH LP Retractable
- Plastic
- Speed/Temp
- Paddle Wheel & Valve Kit = [D234](#)

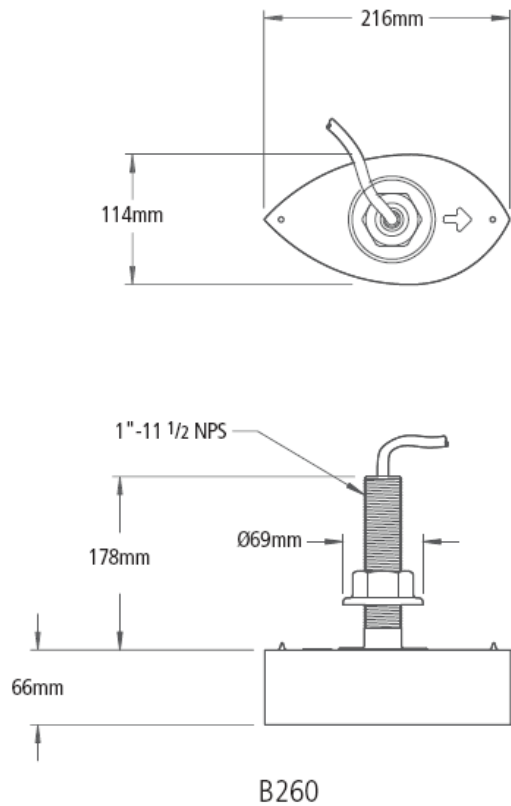
E66032

- B744V Standard Fairing Kit
 - (not Current)

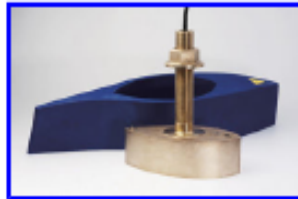
Raymarine

E66033

- B260 for L755/760/1250
- **Retired** with E66059



B260



Thru-hull

- Depth/Temp
- 50/200 kHz
- 1 kW RMS
- High-performance
- Bronze

[More...](#)

E66034

- B260 ([E66079](#)) Fairing Block

E66035

- B45 –Retired?
- Fairing Block = [E26017](#)
- TH Depth only

E66039

- B744V Depth / Speed / Temp Txdr TH
- V850 connection
- Retired

E66043

- SS544V – Retired
- TH Retractable
- Depth/Speed/Temp
- Fairing Block = [E66045](#)
- Paddle Wheel Kit = [R69015](#)
- Paddle Wheel & Valve Kit = [R69016](#)
- Blanking Plug = [R69050](#)

E66045

- SS544V Hi-Speed Fairing

E66046

- M256 TM or IH RETIRED
- Material = CU
- Depth/Temp
- TM Bracket = [E66047](#)
- In Hull Mounting Bracket = [E66050](#)

E66047

- TM Bracket for the M260 ([E66049](#))



E66048

- R99 Depth/Speed Txdr (Retired)
 - Replaced by [E66075](#)

E66049

- M260 TM or IH **RETIRED** Replaced by = [E66081](#)
- TM Bracket = [E66047](#)
- IH Bracket = [E66050](#)
- DSM300 Plug on cable

E66050

- M256/M260 In-Hull Fitting Kit



E66051

- R199 In-hull Depth txdr – Replaced by [E66076](#)



E66053

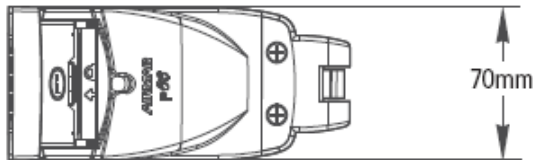
- SS560 1kW Hi Performance TH w/fairing RETIRED, replaced by = [E66080](#)
- Depth/Temp
- Fairing Block = [E66034](#)

Raymarine

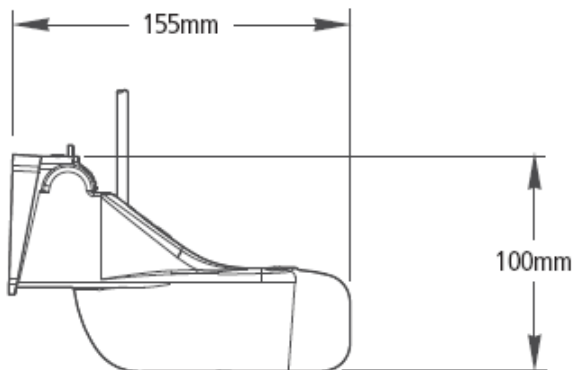


E66054

- P66 TM
- DSM plug on cable
- Depth / Speed / Temp
- Plastic
- 30 foot cable
- Replacement Bracket = [A28095](#)
- Paddle Wheel Kit = [R69079](#)



70mm



P66

P66



Transom mount

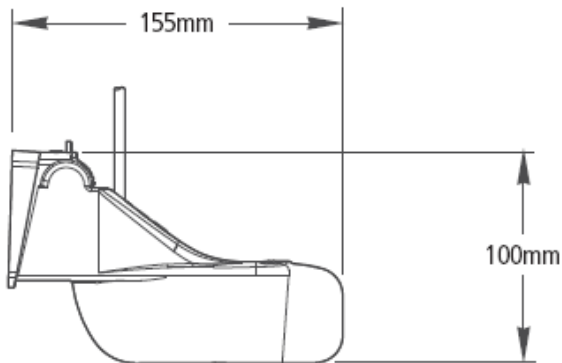
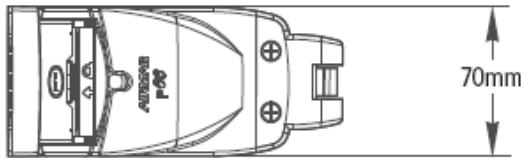
- Depth/Speed/Temp
- 50/200 kHz
- 600 W RMS
- Mid-performance
- Plastic

[More...](#)

Raymarine

E66055

- P66 Tri-Ducer
- L365/L470/L750
- Paddle Wheel Kit = [R69079](#)
- Replacement Bracket = [A28095](#)



P66



Transducers

Raymarine®

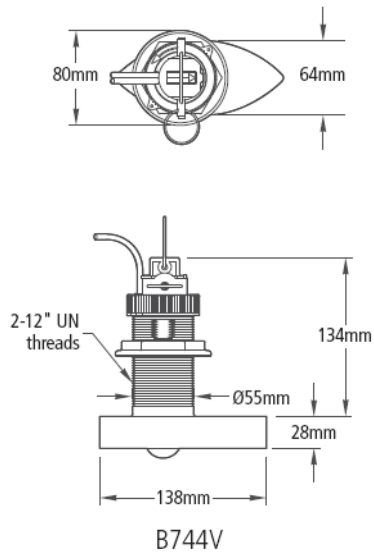


E66056

- Now replaced by the [A66091](#)
- **RETIRED** – reference [TU291](#)
- B744V TH
- Paddle Wheel Kit = [R69015](#)
- Paddle Wheel/Valve Kit = [R69016](#)
- Speed insert Accessory = [R69017](#) (plastic)
- Fairing Block = [E66023](#)
- Blanking Plug = [R69050](#)



Existing B744V



B744V



Long Stem Thru-hull

- Depth/Speed/Temp
- 50/200 kHz
- 600 W RMS
- Mid-performance
- Bronze

[More...](#)



Clevis pin assembly

RAYMARINE

Transducers



E66057

- B744VL TH Retractable (Includes [E66023](#) Fairing Block)
- **RETIRED**
- DSM Plug on Cable
- Bronze
- Depth / Speed / Temp
- 30 foot cable
- Fairing Block = [E66023](#)
- Paddle Wheel Kit = [R69015](#)
- Paddle Wheel and Valve Kit = [R69016](#)
- Blanking Plug = [R69014](#)



Long Stem Thru-hull

- Depth/Speed/Temp
- 50/200 kHz
- 600 W RMS
- Mid-performance
- Bronze

[More...](#)



E66058

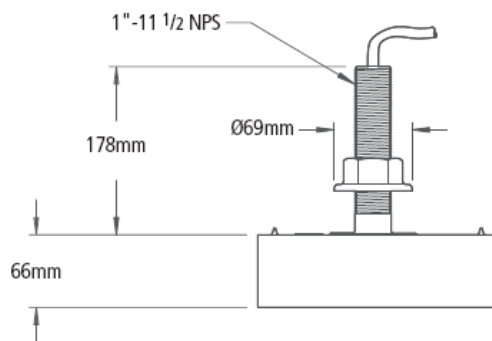
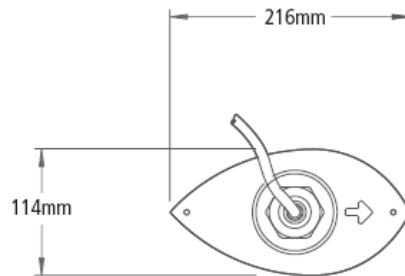
- B256 TH – Replaced by the [E66082](#)
- Bronze Hi-Performance
- L755/760/1250
- Fairing Block = [E66025](#)
- DSM Plug on cable

Raymarine



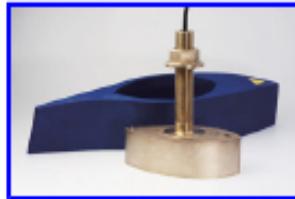
E66059

- B260 **RETIRED** TH replaced by = [E66079](#)
- Depth/ Temp
- Bronze Hi-Performance
- L755/760/1250
- Fairing Block = [E66034](#)
- DSM Plug on cable



B260

B260



Thru-hull

- Depth/Temp
- 50/200 kHz
- 1 kW RMS
- High-performance
- Bronze

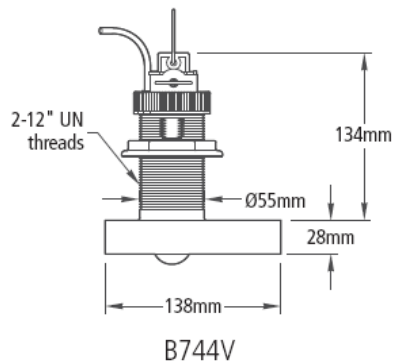
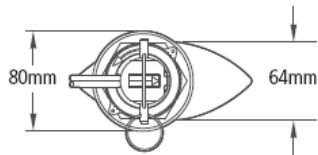
[More...](#)

E66061

- B744V with A-Series Plug TH Retractable
- **RETIRED** - Being replaced with [A66090](#)
- Depth/Speed/Temp
- Fairing Block = [E66023](#)
- Old Style – reference [TU291](#)
- Paddle Wheel Kit: [R69015](#)
- Speed Insert Accessory = [R69017](#)
- Paddle Wheel & Valve Kit = [R69016](#)
- Blanking Plug = [R69050](#)



Existing B744V



LINE



E66062

- P58 TM
- Depth/ Speed/ Temp
- A-Series Plug on cable
- P58 Locking ring Kit = [R69080](#)
- Paddle Wheel Kit = [R69077](#)
- P58 Replacement Bracket = [R69076](#)



Transom mount

- Depth/Speed/Temp
- 50/200 kHz
- 600 W RMS
- Mid-performance
- Plastic

[More...](#)





E66066

- DSM Txdr Adapter Cable for connection to A-series displays





E66070

- Txdr Adapter Cable for L365 / L470 Style Txdrs
- For Connecting an L365 Txdr to an A-Series Display

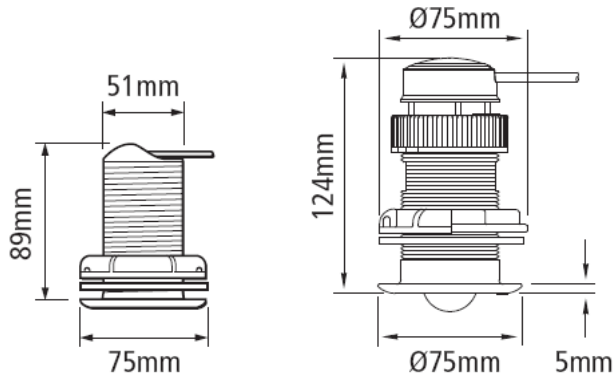


Raymarine®



E66071

- ST800 / P120 Retractable TH
- Speed/Temp
- Small 3 pin Plug for Y-Splitter Cable connection (to DSM)
- Includes Y-Splitter Cable = [E66022](#)
- Plastic
- 30 foot cable
- Paddle Wheel and Valve Kit = [D234](#)



SPEED AND DEPTH TRANSDUCERS
ST60+ AND ST290 (TYPICAL)





E66072

- ST800 / B120 Low Profile TH Retractable
- Includes the Y-Splitter Cable [E66022](#)
- Speed / Temp
- Small 3 pin plug for Y-Splitter cable connection
- Bronze
- 30 foot cable
- Paddle Wheel and Valve Kit = [D234](#)





E66073

- P74
- In Hull Trolling Motor Txdr
- A-Series Plug on Cable
- 600W rms
- 50/200kHz
- 25 Foot Cable



P74



In-hull Trolling Motor

- **Depth/Temp**
- **50/200 kHz**
- **600 W RMS**
- **Mid-performance**
- **Plastic**

[More...](#)



E66074

- 3m Txdr Extension Cable
- A-Series

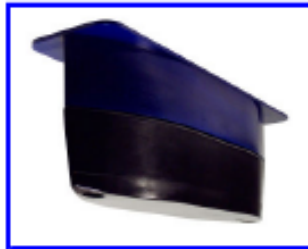




E66075

- R99 CR TH
- Material= CR
- DSM Plug on Cable
- 1kW max on DSM300
- 30 foot cable

R99



External mount

- Depth/Temperature
- 50/200 kHz
- 2 kW RMS
- High-performance
- Urethane

[More...](#)



E66076

- R199 In Hull
- Material = CR
- DSM Plug on Cable
- (1kW with DSM300)
- Depth Only
- 30 foot cable

R199



In-hull

- **Depth**
- **50/200 kHz**
- **2 kW RMS**
- **High-performance**
- **Urethane**

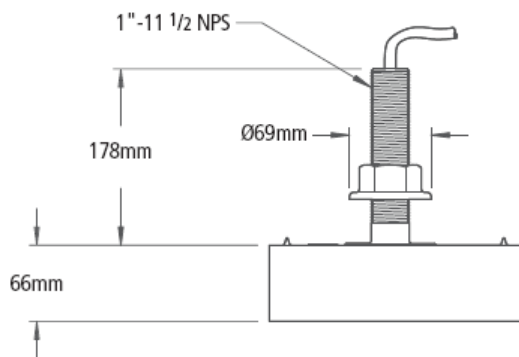
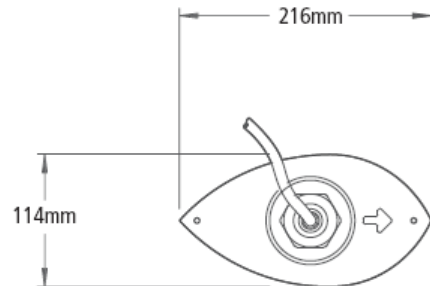
[More...](#)

Raymarine®



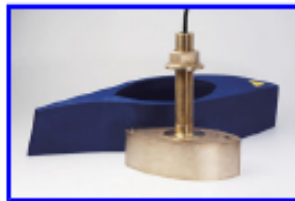
E66079

- B260 Broadband TH stem (Includes fairing block)
- Depth/Temp
- DSM Plug on Cable
- Bronze
- 30 foot cable
- Fairing Block = [E66034](#)



B260

B260



Thru-hull

- Depth/Temp
- 50/200 kHz
- 1 kW RMS
- High-performance
- Bronze

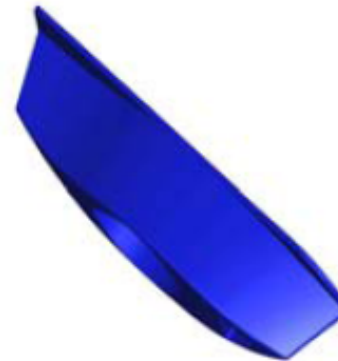
[More...](#)



E66080

- SS560 Broadband TH (includes Fairing Block)
- Depth/Temp
- DSM Plug on cable
- Stainless Steel
- 30 foot cable

(SS560) 1KW high performance stainless steel **depth and temperature only** through hull transducer with diplexer – **Includes high speed fairing w/30' Cable**





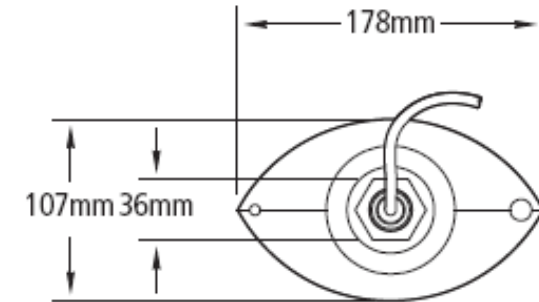
E66081

- M260 Txdr B/Band – **Retired** Replaced By [A66089](#)
- IH – supplied with IH bracket
- Depth/Temp (no temp for IH normally)
- DSM300 plug on cable



E66082

- B258 TH Stem (includes Fairing Block)
- Depth / Temp
- DSM Plug on Cable
- Bronze
- 30 foot Cable
- 1kW



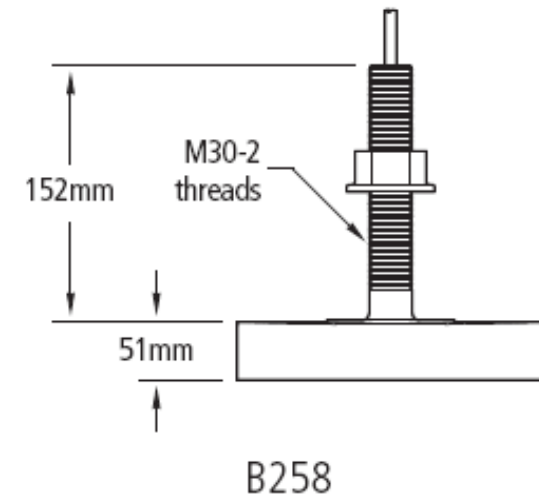
B258



Thru-hull

- Depth/Temp
- 50/200 kHz
- 1 kW RMS
- High-performance
- Bronze

[More...](#)





E66084

- TM 258 Txdr with Transom Mount Bracket
- Bronze
- Depth / Temp
- DSM Plug on Cable
- 1kW

(TM258) 1Kw high performance bronze **depth and temperature only** transducer with transom mount bracket. Dual Frequency 200/50 KHz. 600 Watts I





E66085

- B60 with 20 degree tilted element
- DSM Plug on Cable
- Bronze
- Hull Deadrise 16-24 degrees



B60



Tilted Element™ 12° / 20°

- Depth/Temp
- 50/200 kHz
- 600 W RMS
- Mid-performance
- Bronze

[More...](#)



E66086

- B60 with 12 degree tilted element
- DSM Plug on Cable
- Bronze
- Hull Deadrise 8-15 degrees



B60



Tilted Element™ 12° / 20°

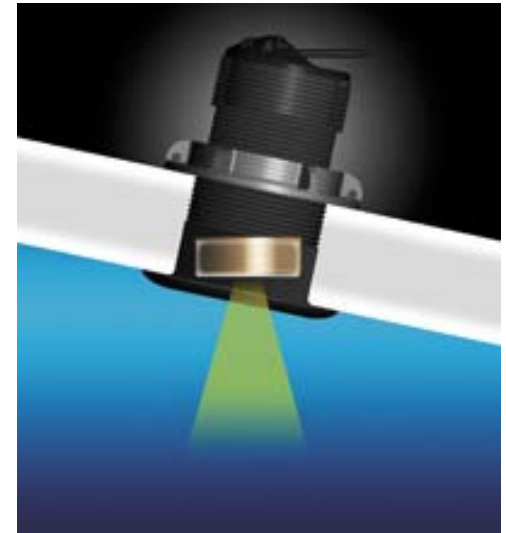
- Depth/Temp
- 50/200 kHz
- 600 W RMS
- Mid-performance
- Bronze

[More...](#)



E66087

- B60 – 20 degree
- Bronze
- 50/200 kHz
- Depth / Temp
- 20 degree tilted element
- A-Series Plug on Cable
- Hull Deadrise 16-24 degrees





E66088

- B60 – 12 degree
- Bronze
- 50/200kHz
- Depth/Temp
- 12 degree Tilted Element
- A-Series Plug on Cable
- Hull Deadrise 8-15 degrees



G625877-1

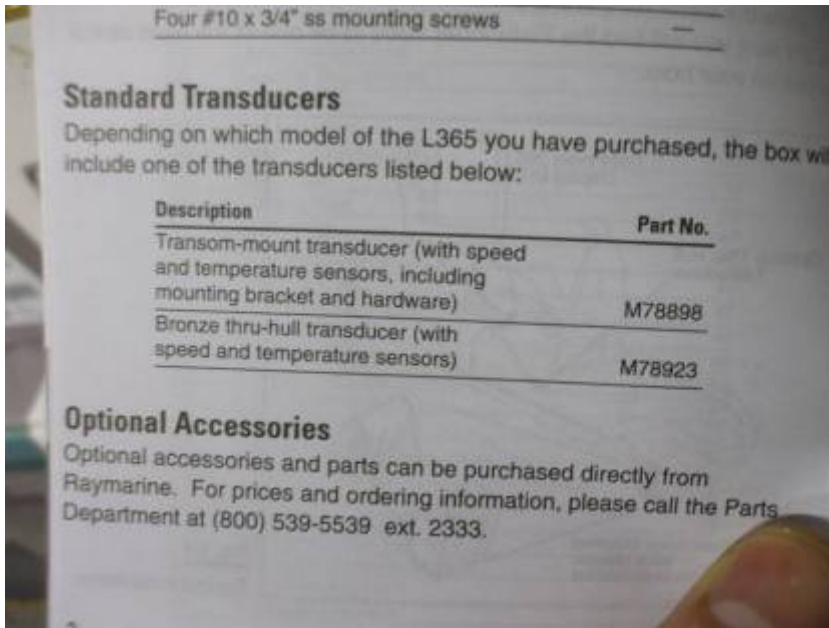
- Adapter cable for L750 to L265/L470 transducer.



Raymarine

G623961-1

- L365/L470 Plug on cable
- TM Tri-ducer

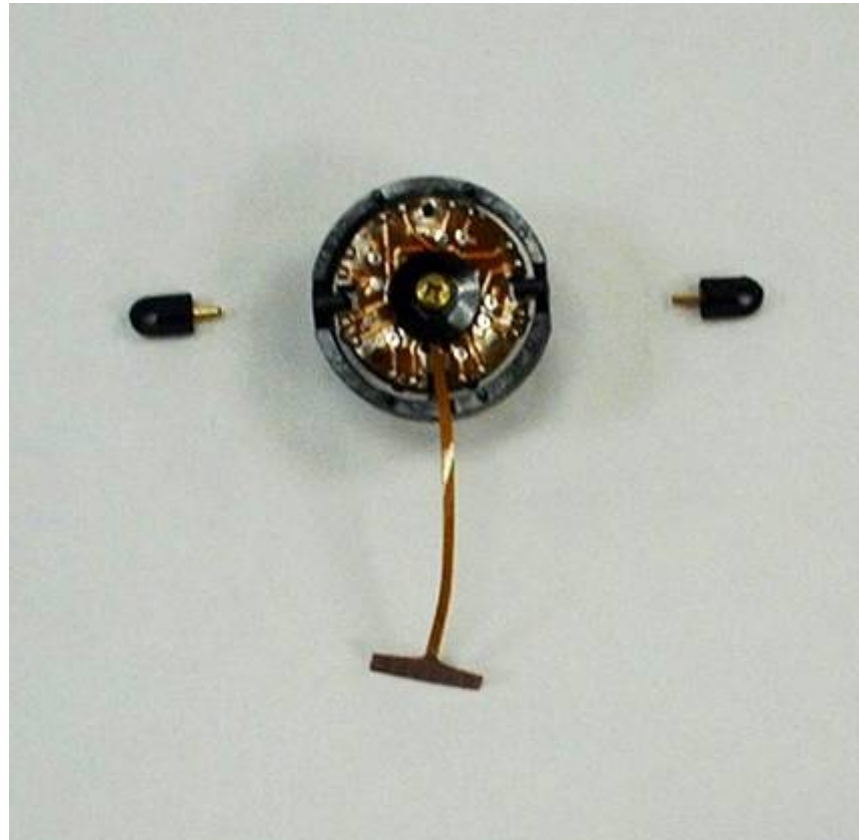


Transducers



M022

- Fluxgate Element used within the M81190





M76716

- Bronze Speed Temp Txdr TH
- Blanking Plug = D242



M78662

- Bronze Speed / Temp for V8010



M78712

- M78712 Speed Temp
- Supplied with ST60 Speed
- Blanking Plug = D242
- Crimped Ends for instrument



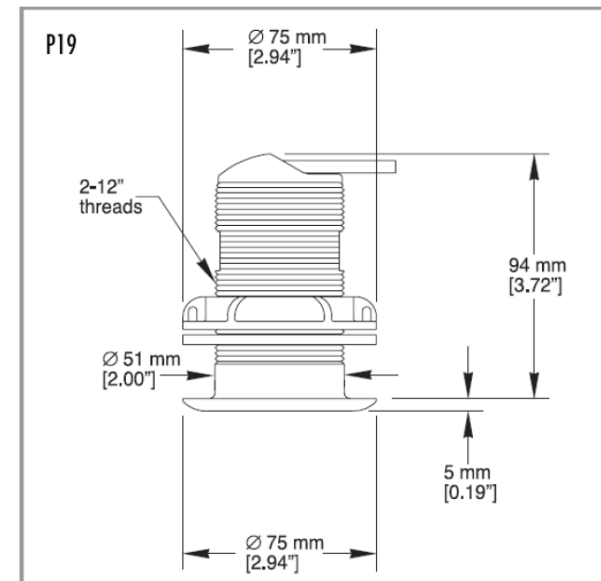
Raymarine®



M78713-PZ

- P19 Low Profile TH
- Crimped ends for instrument
- ST60/70/290
- Plastic
- 375W rms

(P19) Standard plastic Low Profile Thru-Hull
Depth Transducer 200Khz w/45' Cable





M78714-PZ

- B22 Low Profile TH
- ST40/60/70/290
- Bronze
- Crimped ends for instrument
- 375W rms





M78716

- ST600 / B120 Low Profile TH
- Speed / Temp
- ST40/60/70/290
- Bronze
- Crimped ends for Instrument connection

(ST800/B120) Bronze Low Profile Thru-Hull speed and temperature transducer w/45' Cable





M78717

- B17 TH Retractable
- ST40/60/70/290
- Bronze
- Crimped ends for instrument
- 250W rms
- Cable = 13.7 meters

(B17) Bronze Retractable Thru-Hull Depth Transducer Depth
Only 200Khz w/45' Cable





M78718

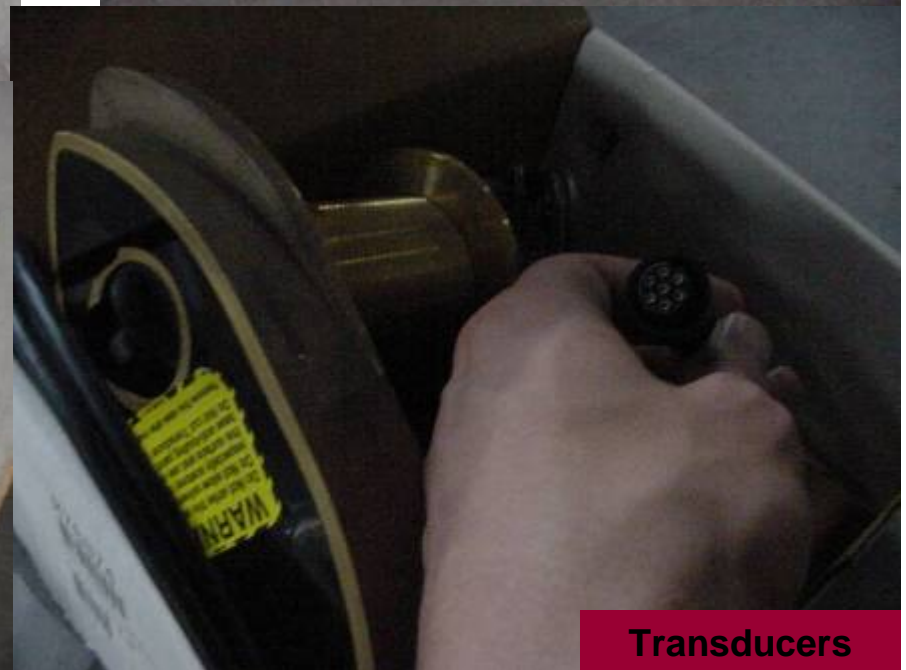
- Depth Txdr TH
- Retractable
- Old Blanking Plug = D148



Raymarine®

M78874

- 4 paddles
- Retired



Transducers

M78898

- 365/465 TM Tri-ducer
- Replaced by [E66055](#)
- Paddle Wheel Kit = [M99-143](#)

M78923

- Bronze TH Tri-Ducer for L465/L470/L750 etc.
- Replacement Paddle Wheel Kit (was [M99-144](#))= now [D144](#)

M78936

- Speed Txdr
- TM
- For 365/465
- Retired

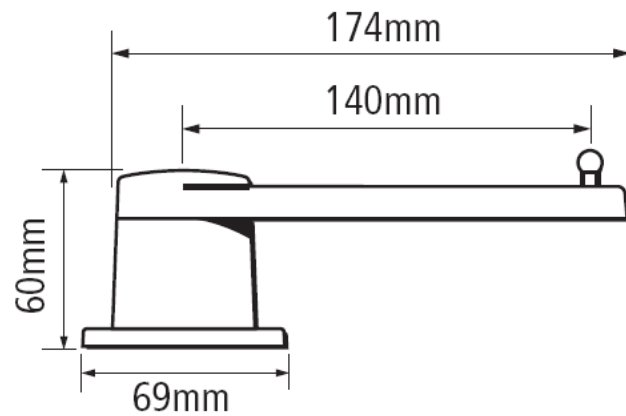
M78937

- Speed Txdr
- TH
- For L365/465
- Retired

Raymarine®

M81105

- Rudder Angle Transducer



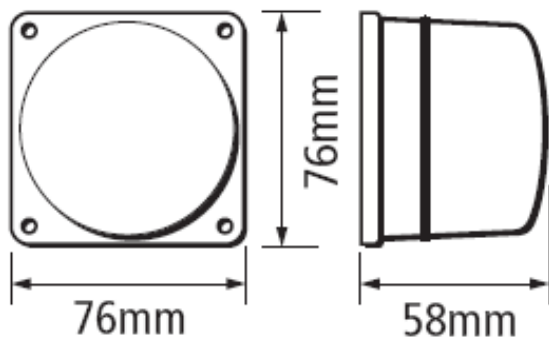
RUDDER REFERENCE
(SUPPLIED WITH 10 METRE / 33' CABLE)

RAYMARINE



M81190

- Fluxgate Compass
- Spare Fluxgate Element = M022



FLUXGATE COMPASS TRANSDUCER
(SUPPLIED WITH 8 METRE / 26' CABLE)



M99001-11

- Six Paddles – Flat
- Retired



M99-143

- Paddle Wheel Kit for [E26006](#) & [M78898](#)
- TM Tri-ducer

M99-144

- Paddle Wheel Kit for [M78923](#)
- Now use the [D144](#)
- TH Bronze Tri-ducer

Q094

- ST30 Speed Transducer
- Retired



R28170

- Masthead Txdr Only
- 14 ½ inch long
- No Cable Supplied
- Crimped ends for Instrument connection

Masthead only





R28171

- Long Masthead Txdr only
- 26 inch long
- No Cable Supplied





R42124

- Extension/ Adapter cable for RayMic to VHF connection
- Supplied in the box with the RayMic
- 10 meters
- Connects to R55 and R218 VHF





R69011

- DSM Txdr Connector Kit
- Removable Nut, Locking Ring and Wedge Tool

R69014

- B744VL Blanking Plug
- Old
- Reference [TU291](#)

R69015

- B744V / B744VL / SS544V TH Triducer Paddle Wheel Kit
- Used on Paddle Wheel Txdrs: [A26043](#), [A26044](#), [A66091](#) & [E26020-PZ](#) & [E66056](#) & [E66057](#) & [E66061](#)



R69016

- B744V / B744VL / SS544V TH Triducer Paddle Wheel and Valve Kit
- OLD
- Reference [TU291](#)



R69017

- Paddle Wheel Insert (Passive) for B744V (Old style)
- Reference [TU291](#)



R69018

- Paddlewheel Insert (Passive) for the B744VL
- Old Style
- Reference [TU291](#)



R69042

- Paddle Wheel Insert (Active) for B744V
- Speed and Temp
- Old – Reference [TU291](#)

R69049

- Paddle Wheel Insert (Active) for B744VL
- Speed and Temp
- Old
- Reference [TU291](#)

R69050

- B744V / SS544V Blanking Plug
- Old Style
- Reference [TU291](#)

R69076

- Replacement Bracket for P58-[E66062](#)

R69077

- P58 ([E66062](#)) Paddle Wheel Kit
- Six Paddles - Flat



R69079

- P66 Paddle Wheel Kit
- 4 paddles – Flat
- Used on: ([E26028-PZ](#) & [E66054](#) & [E66055](#))





R69080

- P58 ([E66062](#)) Locking Ring Kit

Raymarine®

W012

- Active Speed Txdr insert
- 4 paddles
- Would fit a Txdr like the [Z093](#)



Transducers



Z091

- ST50 Depth Txdr
- Plastic TH



Z092

- Speed Txdr TH
- New Style Z092 with Plug on Cable (old style has 4cm diameter with old paddles)
- Plastic



• Old Style





Z093

- Bronze TH Tri-ducer for ST50
- Active Speed Insert = [W012](#)

Raymarine®



Z115

- Long Stem Depth Txdr
- 2 Pin Plug for ST50 instrument connection
- Replaced by the ST60 B45 [E26019-PZ](#)





Z116 F

- Speed Txdr TH
- Bronze
- Plugged for ST50



Z192

- ST30 Speed Transducer -use E26008
- Retired

Z193

- Z193 = ST30 Depth Txdr – replaced by [E26021](#)



Z195

- Rotavector Transducer with 20m Cable (65')
- Transducer Service Kit = [D240](#)
- Rotavector Electronic Pod = Q113



ST40 Rotavector wind transducer supplied with the wind system.



Transducers